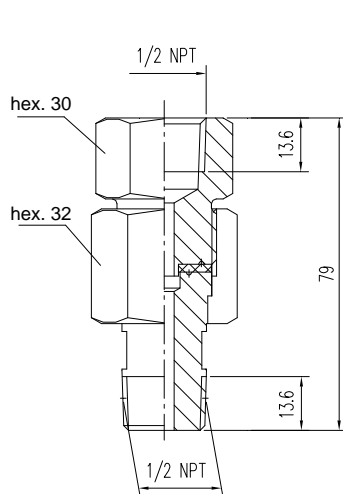
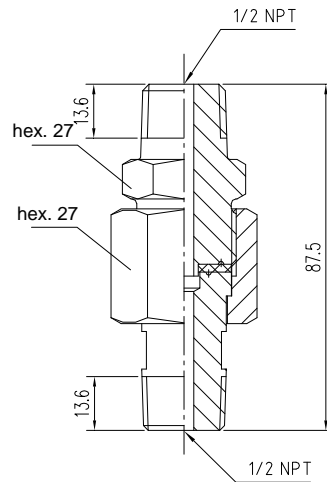
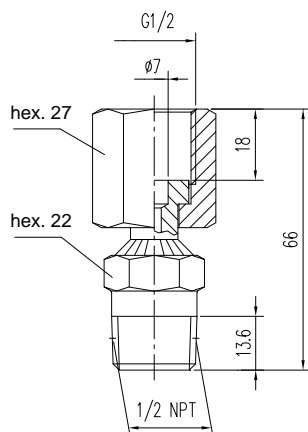
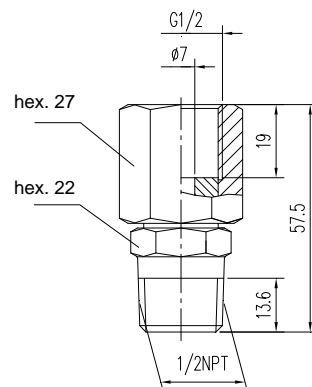
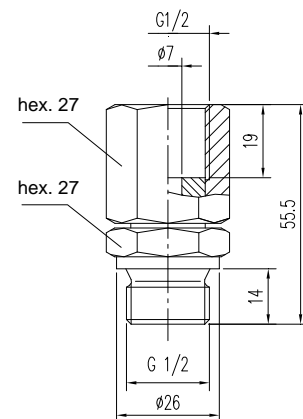


Type 1a

Type 2b

Type 2

Type 3

Type 4


- The swivel gauge adaptor enables the easy positioning of the gauge in any direction through 360°.

Type	Components	Material		Part no.
			Seal ring	
1a	1.4571		PTFE	S007.45.206.05
			1.4404	S007.45.206.15
1b	1.4571		PTFE	S007.45.207.02
			1.4404	S007.45.207.12
2	1.4571		-	S007.45.200.07
3	1.4571		-	S007.45.210.05
4	1.4571		-	S007.45.210.25