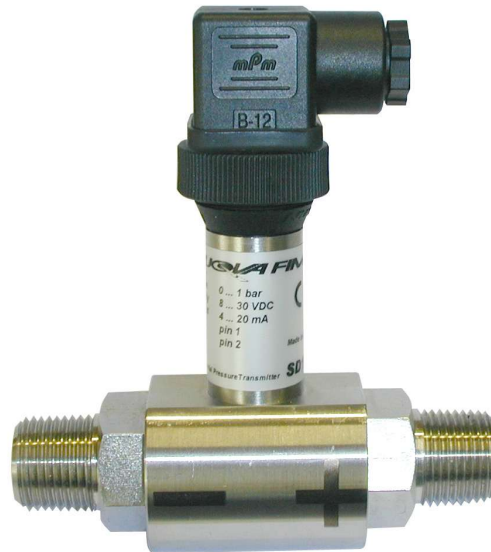


Differential pressure transmitter

SD 13

- Ranges from 100 mbar to 16 bar.
- Piezoresistive measuring element.
- Rugged and compact construction.
- High accuracy.



CE Compliance to requirements of directives:
EMC 89/336/EEC - PED 97/23/EC.

Ranges: 0...1,5/0...230 psi, (0...0,1/0...16 bar).
Accuracy (% span): <0.25% typical; < 0.5% max.
Calibration: limit-point as per DIN 16086.
Repeatability: < 0,15 % span.
Thermal drift:
<0.033 % span / °F; < 0,06 % span/ °C for range < 1 bar;
<0.022 % span / °F; < 0,02 % span/ °C for range > 1 bar.
Process fluid temperature: +5...+185 °F (-15...+85 °C).
Ambient temperature: +5...+185 °F (-15...+85 °C).
Storage temperature: +5...+185 °F (-15...+85 °C).

Output signals: 4...20 mA.
Supply and max load: 8...30 Vdc.
Response time (10...90%): < 3 ms.
Zero calibration: ± 10 % span typical.
Span calibration: ± 10 % span typical.
Compensated temperature range: +32...+158 °F; (0...+70 °C).

Process connection: AISI 316L st.st.
Gasket: NBR (Acrylonitrile).
Case: stainless steel.
Electric connection: *EN 175301-803, exit for cables ø 6...9 mm.
Protection degree: IP 65 as per IEC 529 / EN 60529.
Weight: 1.21 lbs (0,55 kg).
(*Ex DIN 43650)

Ranges	Static pressure one side psi	Static pressure both side psi
0...40 inc WC	10	430
0...64 inc WC	10	430
0...100 inc WC	10	430
0...160 inc WC	20	430
0...240 inc WC	20	430
0...15 psi	30	430
0...25 psi	60	430
0...36 psi	100	430
0...60 psi	200	430
0...90 psi	200	430
0...150 psi	300	430
0...230 psi	430	430

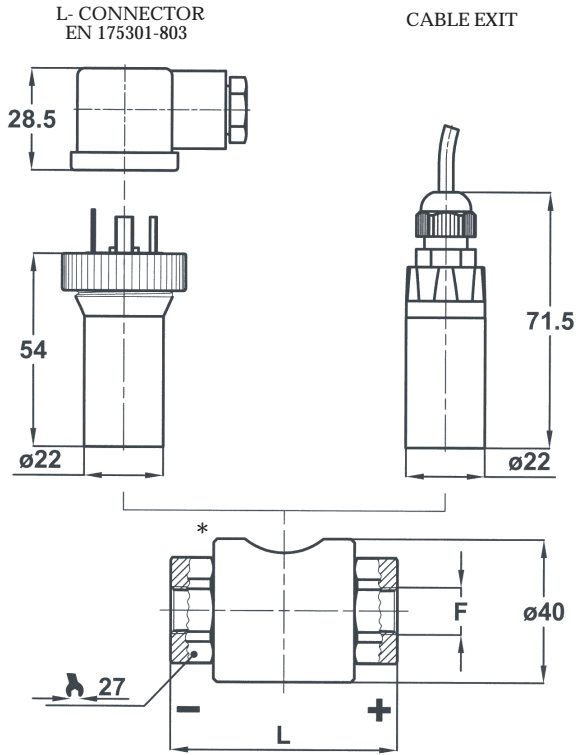
Ranges bar (1)	Static pressure one side bar	Static pressure both side bar
0...0,1	0,7	30
0...0,16	0,7	30
0...0,25	0,7	30
0...0,4	1,4	30
0...0,6	1,4	30
0...1	2	30
0...1,6	4	30
0...2,5	7	30
0...4	14	30
0...6	14	30
0...10	20	30
0...16	30	30

(1) Other unit of measurement and intermediate ranges are available as requested by customer.

Differential pressure transmitter

SD 13

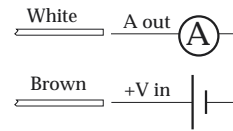
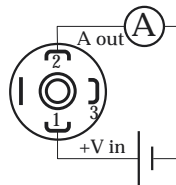
REV. A E 10/04 IN ORDER TO IMPROVE THEIR PRODUCTION, MESSRS. NUOVA FIMA RESERVE THE RIGHT TO THEMSELVES TO MAKE ALL THE MODIFICATIONS THAT THEY DEEM INDISPENSABLE AT ANY TIME. UPDATED DATA SHEETS ARE AVAILABLE ON SITE. www.nuovafima.com



F	L (male)	L (female)
G 1/2 A	35.6" (90.5)	29" (73.5)
1/2-14 NPT	35.6" (90.5)	29" (73.5)
G 1/4 A	31.7" (80.5)	25" (63.5)
1/4 -18 NPT	31.7" (80.5)	25" (63.5)

dimensions : inches (mm)

Output signal	4...20 mA
N. of wires	2
Load (Ohm)	$R_L - (V_{in}-10)/0,02$
Supply: +Vin	10...30
Ground	(pls. refer to Installation Manual)



OPTIONS

Calibration certificate
Wall mounting bracket
Cable exit, with PVC cable (1)
CR gasket; process fluid temperature: -40...+176 °F (-40...+85°C)
EPDM gasket; process fluid temperature: -40...+212 °F (-40...+100°C)
VITON (FPM) gasket; process fluid temperature: -5...+212 °F (-15...+100°C)

(1) Zero calibration not available

“HOW TO ORDER” SEQUENCE

Section / Model/ Range / Process connection / Output signal / Variables

