

pressure transmitter

ST 18

- ✓ - EMC emission and immunity: as per EN 61326.
- ✓ - Wiring: shieldless cable.
- ✓ - Case: with ventilation device.
- ✓ - Compensated temperature range: 14...+176 °F (-10...+80 °C).
- ✓ - Calibration: adjustable.



CE Compliance to requirements of directives:
EMC 2004/108/CE - PED 97/23/CE - RoHS 2011/65/CE

8.S18 - Standard Model

Ranges: 0...15/0...10000 *psi, relative* (0...1/0...600 *bar, relative*);
-30"...0/-30"...350 *psi, relative* (-1...0/-1...+24 *bar, relative*);
0...15/0...200 *psi, absolute* (0...1/0...16 *bar, absolute*).

Accuracy (% span): ≤ 0,25 typical; ≤ 0,5 max.

Calibration: limit-point as per DIN 16086.

Repeatability: ≤ 0,15 % of span.

Thermal drift: ≤ 0,011 % span / °F (≤ 0,02 % span / °C).

Process fluid temperature: -13...+212 °F (-25...+100 °C);
depending on gasket type.

Ambient temperature: -13...+185 °F (-25...+85 °C).

Storage temperature: -40...+185 °F (-40...+85 °C).

Output signals: 4...20 mA, 0...5 Vdc, 0...10 Vdc.

Supply and max load: see on page 2.

Response time (10...90%): < 3 ms.

Zero calibration: ± 10 % span typical.

Span calibration: ± 10 % span typical.

Compensated temperature range: +32...+176 °F (0...+80 °C).

Process connection: AISI 316L st.st .

Sensor: ceramic.

Case: stainless steel, vented for pressure ranges ≤ 230 *psi*
(≤ 16 *bar*).

Electric connection: *EN 175301-803, exit for cables ø 0.23...0.35"
(6...9 mm).

Protection: IP 65 as per EN 60529/IEC 529.

Weight: 0.39 *Ibs* (0,18 *kg*)

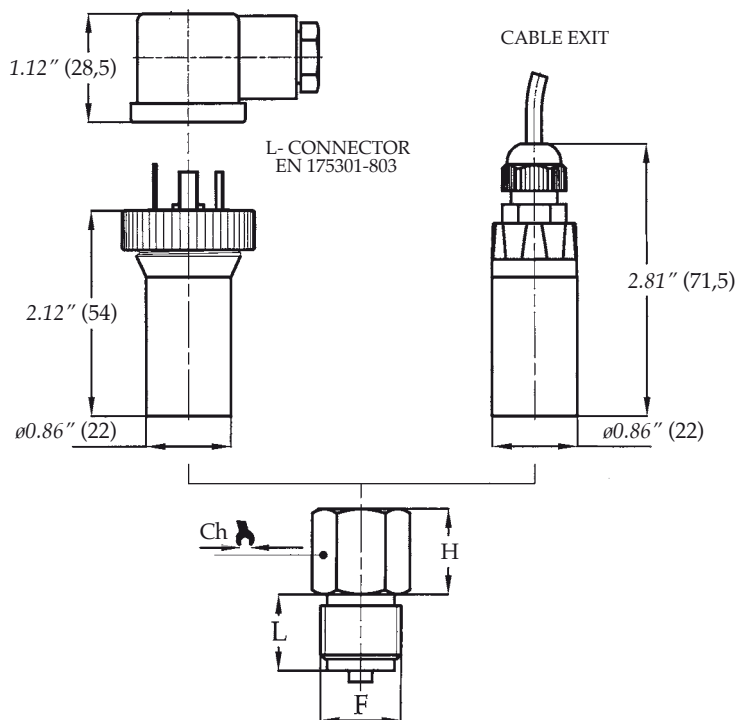
(*)Ex DIN 43650

Ranges psi, relative (1)	Overpressure psi, relative	Burst pressure psi, relative
0...15/0...30	72	100
0...60	145	175
0...100/0...160	290	360
0...300	580	725
0...600	1450	1740
0...1000/0...1500	2900	3625
0...2000/0...3000	7250	8700
0...5000/0...6000	8700	11600
0...10000	11600	13050

(1) Other unit of measurement, intermediate ranges, vacuum and compound ranges are available, as requested by customer.

Ranges bar, relative (1)	Overpressure bar, relative	Burst pressure bar, relative
0...1/0...2,5	5	7
0...4	10	12
0...6/0...10	20	25
0...16	40	50
0...25/0...40	100	120
0...60/0...100	200	250
0...160/0...250	500	600
0...400	600	800
0...600	800	900

(1) Other unit of measurement, intermediate ranges, vacuum and compound ranges are available, as requested by customer.

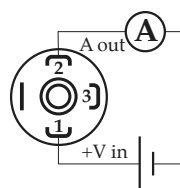


F	L
41M - G 1/2 A	0.78"
43M - 1/2-14 NPT	(20)
21M - G 1/4 A	0.51"
23M - 1/4-18 NPT	(13)

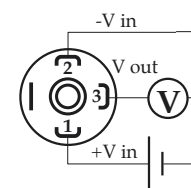
dimensions : inches (mm)

Pn (bar)	H	Ch
1...4	1.06" (27)	0.87" (22)
6...400	0.89" (22,5)	0.87" (22)
> 400	0.89" (22,5)	0.94" (24)

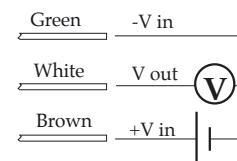
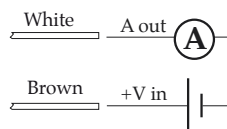
Output signal	4...20 mA	0...5 Vdc	0...10 Vdc
N. of wires	1 2	4 3	5 3
Load (Ohm)	$R_L \leq (V_{in}-8)/0,02$	$R_L \geq 5 K\Omega$	$R_L \geq 10 K\Omega$
Supply: +V _{in}	10...30	8...30	14...30
Ground	(pls. refer to Installation Manual)		



4...20 mA



0...5 Vdc
0...10 Vdc



OPTIONS

FPM - VITON gasket, process fluid temperature 5...+212 °F; (-15...+100°C)
CRP - CR gasket, for pressure ranges ≤ 1500 psi (100 bar); process fluid temperature: -40...+176 °F (-40...+85°C)
EPD - EPDM gasket, for pressure ranges ≤ 1500 psi (100 bar); process fluid temperature: -40...+212 °F (-40...+100°C)
NBR - NBR gasket; process fluid temperature: -13...+176 °F (-25...+85°C)
C01 - Calibration report
K02 - Accuracy ≤ 0,25 % of span, (Limit-point calibration.) (2)
PVC - Cable exit, with PVC cable (1)

- (1) Zero calibration not available
- (2) For pressure ranges ≤ 600 psi (40 bar)

“HOW TO ORDER” SEQUENCE

Section / Model / Range / Process connection / Output signal / Gasket / Options
8 S18 41M 1 FPM C01...PVC
43M 4 CRP
21M 5 EPD
23M NBR