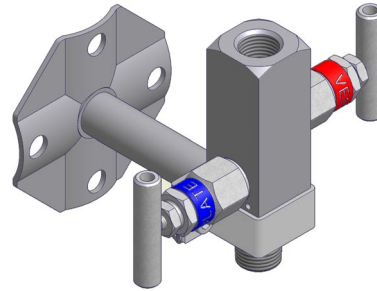
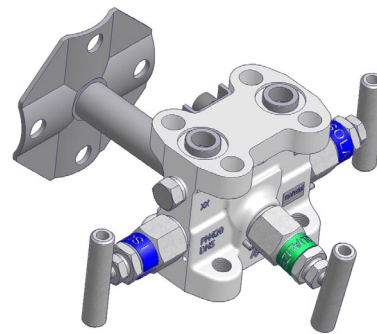
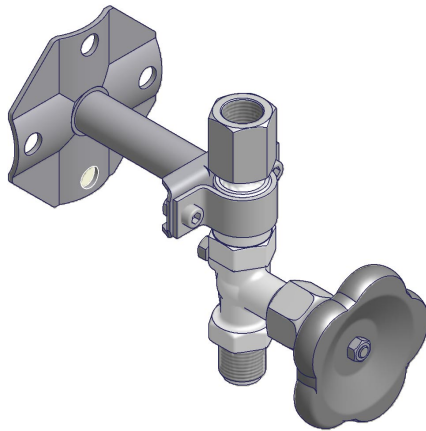

**Type 1**  
 for N342 series

**Type 2**  
 for N354 series

**Type 3**  
 für N542.46./47...  
 series

**Type 4**  
 for gauge valves

Type	Mounting method	Material	Part no.
1	wall or rack mounting	stainless steel	S006.12.216.68
2			S006.12.216.65
3			S006.12.216.60
4			S006.12.216.54
1	2" pipe mounting	stainless steel	S006.12.217.68
2			S006.12.217.65
3			S006.12.217.60
4			S006.12.217.54

**Accessory kit consisting of:**

wall or rack mounting	2" pipe mounting
- mounting bracket - screws	- mounting bracket - screws - 2" 'U' bolt - washers and nuts

**Type 1:** Mounting kit for manifolds  
 catalogue page 4.05, 4.06, 4.10

**Type 2:** Mounting kit for shut-off valves  
 section 7

**Type 3:** Mounting kit for manifolds  
 catalogue page 4.25, 4.42, 4.07

**Type 4:** Mounting kit for pressure gauge valves  
 Type B - section 9