

## ESP-220 HART

## Smart Hart Pressure Transducer

### Feature

- ☆ 0.25%F.S Accuracy
- ☆ HART and 4~20mA output
- ☆ Own configuration software (Max: 16 pressure transmitters)
- ☆ OEM available
- ☆ Sensing element from foreign famous brands

### Application

- ☆ Aviation field
- ☆ Petro-chemical industry
- ☆ mechanical equipment

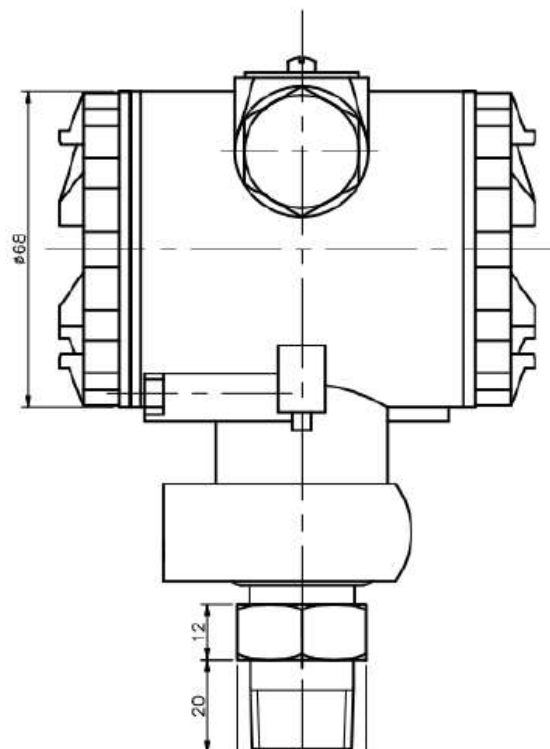
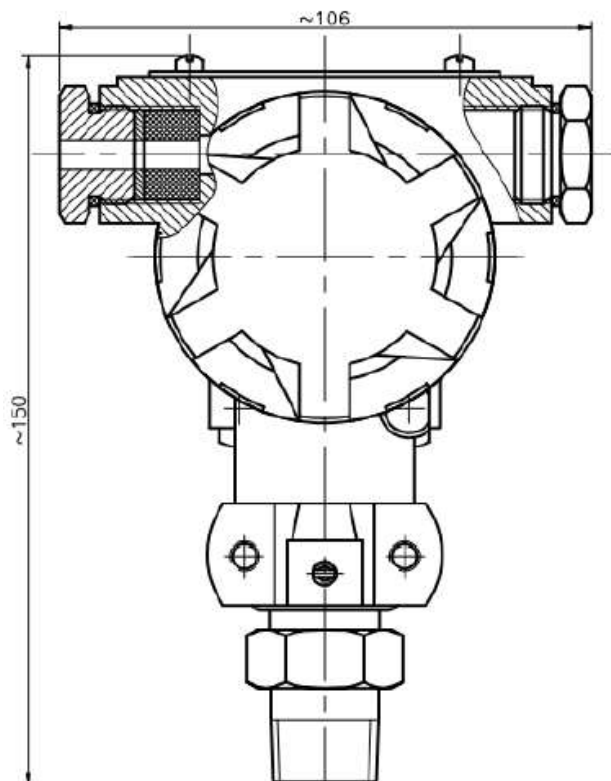


### Product description

**ESP-220 HART** is an intelligent pressure transmitter with HART protocol and 4~20mA output signal, the reaction speed and long transmission distance is its advantage. Digital communication and digital calibration methods were designed to achieve monitoring and management purpose. This pressure transmitter can be used in both traditional and complex digital communications applications.(also we provide HART-USB MODULE)

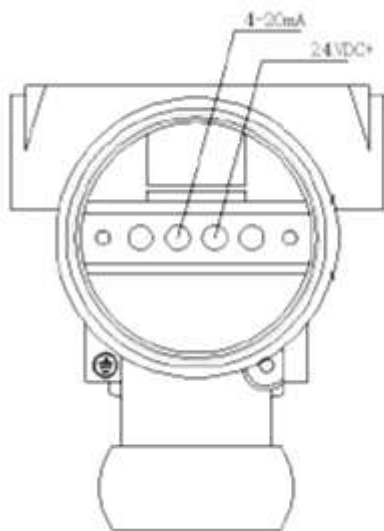
**ESP-220 HART** uses high precision diffused silicon pressure sensing element as its pressure core, as high-reliable performance, small size, low cost, simplified installation as its characteristics.

### Dimension



## ESP-220 HART

## Smart Hart Pressure Transducer



Definition	Mark
Power +	+
Output signal	OUT

## Technical parameters

Parameter	Value	Notes
Pressure range	0~20kPa.....60MPa	1MPa≈145PSI
Overload pressure	1.5 times the pressure range (1.5X)	
Burst pressure	3 times the pressure range (3X)	
Accuracy	±0.25%F.S	
Stability	Typical value 0.2%F.S/ year	
Compensation Temp	-10°C~60°C	
Operating Temp	-40°C~85°C	
Output signal	4-20mA superposition HART protocol	
Power supply	12~30VDC	
Insulation	> 100M Ω@50V	
Electric connection	Amphenol connector	
Pressure connection	M20×1.5, G1/2, NPT1/2, G1/4	
Pressure type	Gauge pressure G, Sealed S	