

DIGITAL GAUGE TYPE: EMPEO 1 AND EMPEO 1 PLUS (With analogue output signal 4-20mA)

- ◆ Battery operated
- ◆ 4-digit alphanumeric indication
- ◆ Nominal size: $\varnothing 100\text{mm}$
- ◆ Acc. of max. scale value: 0,25% (lower 2,5bar 0,4%)
- ◆ Measuring system: copper alloy
- ◆ Case: crimped, stainless steel
- ◆ Window: polycarbonate

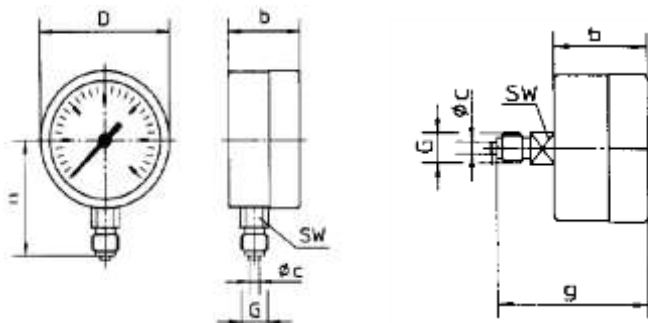


The digital gauge EMPEO 1 is for industrial applications with gaseous and liquid media, which do not crystallize, do not attack the measuring system or which are not highly viscous. Type EMPEO 1 Plus is featured additionally with an analogue output signal 4-20 mA. The execution with analogue output signal 4-20 mA is delivered with a rectangle plug-in connector.

This gauge comes with a 4-digit alphanumeric indication with Min/Max measured data storage, zero-calibration and a bar/psi/MPa/kPa changeover. Setting up with the supplied by magnet.

Technical informations:

Case:	$\varnothing 100\text{mm}$, with crimped, stainless steel
Accuracy:	0,25 %
Dial:	Aluminum white, black writing
Execution:	With one digital indication (4 alphanumeric), min-max measured value memory and zero-point calibration
Window:	polycarbonate
Measuring system:	Copper alloy
Sampling rate:	once per second
Electric power supply:	battery type ER 14250/W, when display is blinking, the battery has to replace.
Connection:	G $\frac{1}{2}$, NPT $\frac{1}{2}$, down or back
Options:	measuring system stainless steel, battery spare part, output signal 4-10mA on type Empeo 1 plus



NG	D	b	c	g	G	g	SW
100	100	37	5	87	1/2	66	22
100	100	37	5	87	1/4	66	22

size in mm