

Datasheet

DA08 Differential Pressure Gauge

Application

These instruments are mainly used in industrial and climatic engineering to measure low and lowest differential pressures. They are suitable for measuring non-aggressive and clean gaseous media.

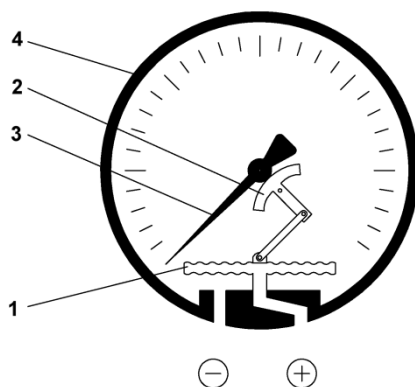
Construction and Operation

A capsule element measuring system is installed into a pressure-tight housing. The higher pressure acts on the inside of the capsule element, the lower pressure is lead into the pressure-tight housing.

The differential pressure arising between the internal and external side of the measuring system leads to a deformation of the capsule element.

This movement is turned into a scaled measured value indication via the motion work.

Functional Scheme



- 1 measuring element (capsule element)
- 2 motion work
- 3 hand
- 4 pressure-tight housing

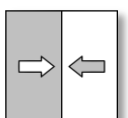


Main features

- low measuring range (4 mbar or higher)
- simplified construction
- maintenance-free motion work

Typical applications

- process measurement technology
- ventilation technology

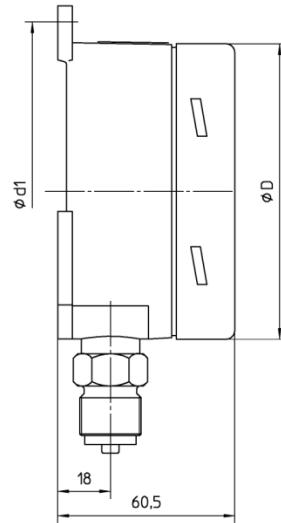
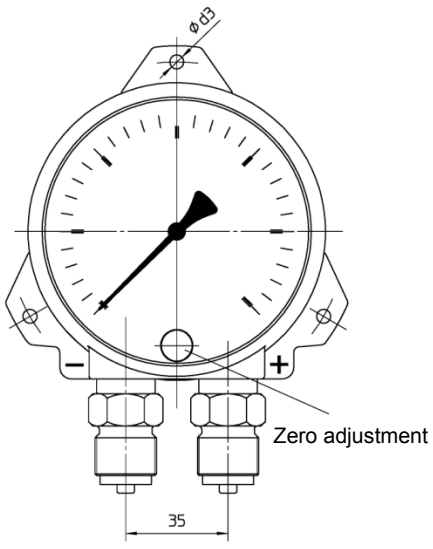


Specifications

General	
Measuring range	0...4 mbar up to 0...160 mbar (see Ordering Code)
Max. overpressure	tenfold for ranges ≤ 16mbar peak 200 mbar for ranges > 16mbar
Max. stat. operating pressure	200 mbar
Accuracy	Class 1.6 acc. to DIN 16005
Perm. ambient temperature	-20...+70°C
Max. media temperature	peak 50°C
Indication	270°-scale; circular dial type ø100
Pressure connections	At the bottom or rear of the housing (depends on type, see Ordering Code)
Zero point adjustment	Located in the dial
Materials	
Housing	Aluminium varnished black
Capsule element	CuBe ₂
Front glass	Acrylic glass
Motion work	Brass

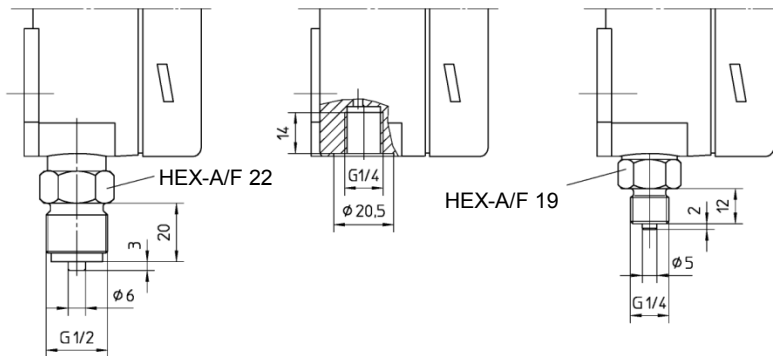
Dimensions (All units in mm unless stated otherwise)

Wall Mounting

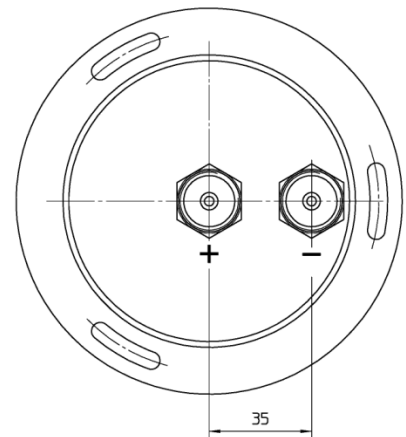
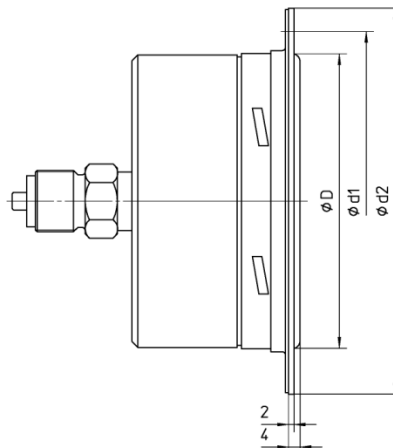
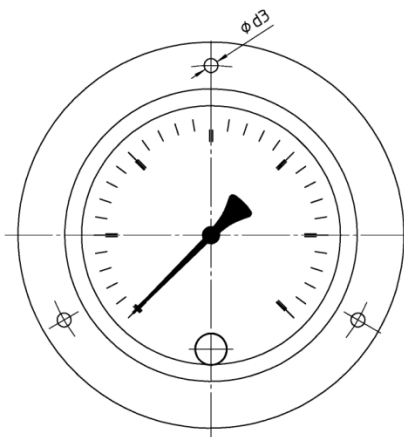


NG	ØD	Ød1	dØ2	Ød3
100	101	116	132	4,8

Variants of Process Connection



Panel Mounting (rear connection)



Ordering Code

Differential Pressure Gauge

Type DA08

		A	0			
--	--	---	---	--	--	--

Measuring Range

0 ... 6 mbar.....>	5	3
0 ... 10 mbar.....>	5	4
0 ... 16 mbar.....>	5	5
0 ... 25 mbar.....>	5	6
0 ... 40 mbar.....>	5	7
0 ... 60 mbar.....>	5	8
0 ... 100 mbar.....>	5	9
0 ... 400 Pa.....>	D	7
0 ... 600 Pa.....>	D	8
0 ... 1000 Pa.....>	D	9
0 ... 1600 Pa.....>	E	1
0 ... 2500 Pa.....>	E	2
0 ... 4000 Pa.....>	E	3

Nominal Pressure of the Measuring Unit

200 mbar.....> A

Pressure Connection

Female thread G1/4.....>	0	1
Connection shank G1/4 B brass.....>	0	6
Connection shank G1/2 B brass (necessary for use with accessory DZ43/44).....>	0	8
Brass cutting ring fitting for ..6 mm tube.....>	2	8
Brass cutting ring fitting for ..8 mm tube.....>	2	9
Brass cutting ring fitting for 10 mm tube.....>	3	0
Aluminium fitting for 6/4 mm hose (with internally throttling).....>	4	7
Aluminium fitting for 8/6 mm hose (with internally throttling).....>	4	8

Indication

Aluminium bayonet lock case ø100.....> U

Mounting

Wall mounting (bottom connection).....>	B
Front ring for panel mounting (bottom connection).....>	L
Front ring for panel mounting (rear connection).....>	G

