



Instruments designed for use on: conventional power station, refrigeration plant, heating, ventilation and air-conditioning plant.

## 6.V6 - Standard Model

**Accuracy:**  $\pm 1,0\%$  of full scale value.

**Working pressure:** 350 psi max (25 bar), without thermowell.

**Overtemperature:** not suitable.

**Sensing element:** colored liquid, mercury.

**Graduation:** engraved on internal wall of case.

**Tube:** glass, prismatic on mercury types.

**Bulb:**  $\varnothing 0.43''$  (11 mm).

**Case:** aluminium, anodized brass.

**Process connection and bulb protection:**

brass for  $T_e \leq 752$  °F (400 °C).

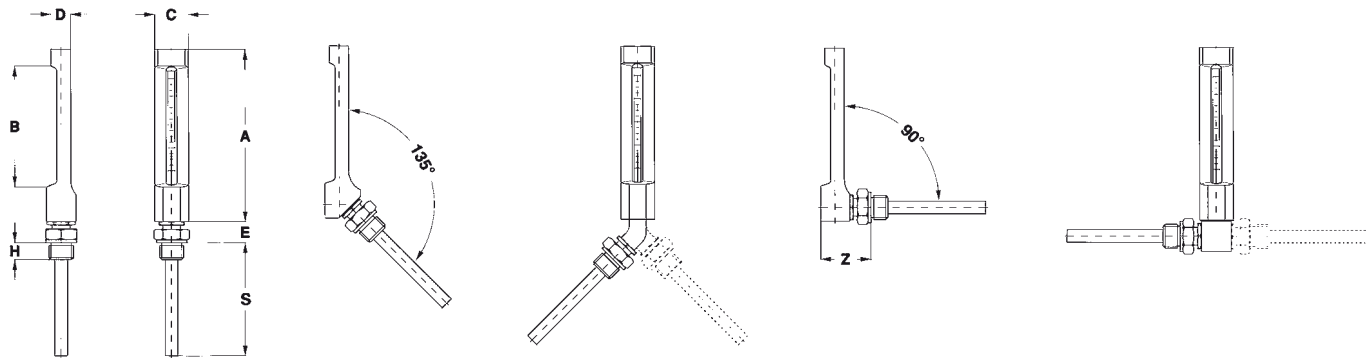
**Standard bulb length:** 1.57, 1.89, 2.48, 3.15, 3.93, 6.30, 7.87, 11.81'' (40, 48, 63, 80, 100, 160, 200, 300 mm).

RANGES °C	Scale graduation (°C)		
	ND 4'' (110mm)	ND 6'' (150mm)	ND 8'' (200mm)
-60...+40		2	
-50...+50			1
-40...+40	1	1	
-30...+50		1	1
-10...+50		1	1
0...+50	1		
0...+100	2	2	1
0...+120	2	2	1
0...+160	2	2	2
0...+200	5	5	2
0...+300		5	5
0...+400		5	5

## NOTE

In case of breakage it is sufficient to change the tube, with engraved scale. This operation is possible thanks to the perfect interchangeability of tubes which permits a perfect alignment between engraved scale on tube and graduations on casing.

**MOUNTING**



**Cod. 1**

**Cod. 2**  
(ND 6" - 150mm  
not available)

**Cod. F**

**Cod. G**

**Cod. 4**

**Cod. D**

**Cod. E**

ND	F	A	B	C	D	E	Z	H	S	Weight lbs. (kg)
<b>E</b> 4" (110 mm)	<b>31M</b> - G 3/8 A	4.33 (110)	2.79 (70)	1.38 (35)	0.79 (20)	0.79 (20)	1.77 (45)	0.59 (15)	1.57...11.81 (40...300)	1.32...2.42 (0,6...1,1)
<b>G</b> 6" (150 mm)	<b>41M</b> - G 1/2 A <b>51M</b> - G 3/4 A	5.91 (150)	3.94 (100)	1.38 (35)	0.79 (20)	0.79 (20)	1.77 (45)	0.59 (15)	1.57...11.81 (40...300)	1.54...2.64 (0,7...1,2)
<b>H</b> 8" (200 mm)	<b>43M</b> - 1/2-14 NPT <b>53M</b> - 3/4-14 NPT	7.87 (200)	5.91 (150)	1.38 (35)	0.79 (20)	0.79 (20)	1.77 (45)	0.59 (15)	1.57...11.81 (40...300)	1.76...2.86 (0,8...1,3)

dimensions : inches (mm)

**FILLING LIQUIDS**

°C	Colored liquid	Mercury
	<b>A</b>	<b>B</b>
-60...+40	❖	
-50...+50	❖	
-40...+40	❖	
-30...+50	❖	❖
-10...+50	❖	❖
0...+50	❖	❖
0...+100	❖	❖
0...+120	❖	❖
0...+160	❖	❖
0...+200	❖	❖
0...+300		❖
0...+400		❖

**"HOW TO ORDER" SEQUENCE**

Section / Model / Mounting / Connection type / Diameter / Range / Process connection / Bulb type and length

6    V6    1    3    E    31M    A  
                   2    G    41M    B  
                   F    51M  
                   G    43M  
                   4    53M  
                   D  
                   E