

bourdon tube pressure gauges

DS 6" (150mm)

MS1



CE Compliance to requirement of
PED 97/23/EC

They can be used with gaseous or liquid media which do not corrode copper alloy and which do not have high viscosity or do not cristalize.

1.01.1 - Standard Model

Design: EN837-1.

Safety designation: S1 as per EN 837-2.

Ranges: from 0...15 to 0...15000 *psi* (from 0...1 to 0...1000 bar or equivalent units).

Accuracy class: 1,6 as per EN 837-1.

Ambient temperature: -13...+149°F (-25...+65 °C).

Process fluid temperature:

13...+149°F (-25...+65 °C) for ranges ≤ 600 *psi* (40 bar);

-13...+ 248°F (-25...+120 °C) for ranges ≥ 1000 *psi* (60 bar).

Thermal drift: max ±0,4 % / 10 K of range (starting from +68°F - 20°C).

Working pressure:

75% of FSV for static pressure;

66% of FSV for pulsating pressure.

Overpressure (max 15 min):

25% of FSV for ranges ≤ 1500 *psi* (100 bar);

15% of FSV for ranges more than 1500 *psi* (100 bar).

Protection degree: IP 44 as per IEC 529.

Socket material: copper alloy, internal restrictor Ø 0.03" (0,8 mm).

Bourdon tube: copper alloy for ranges ≤ 600 *psi* (40 bar);
AISI 316L st.st. for ranges > 1000 *psi* (60 bar).

Case: stainless steel.

Ring: stainless steel, bayonet lock

Window: tempered glass.

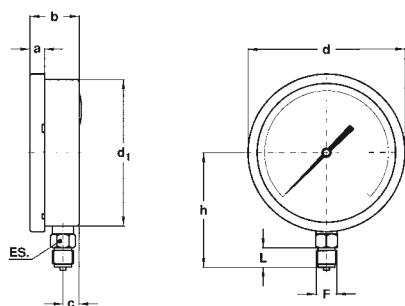
Movement: copper alloy.

Dial: aluminium, white with black markings

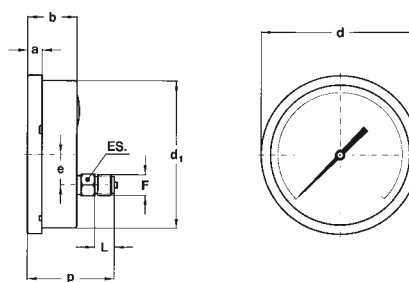
Pointer: non adjustable, aluminium, black

bourdon tube pressure gauges DS 6" (150mm)

MS1



A - LOWER CONNECTION



D - BACK CONNECTION

Mounting	F	a	b	c	d	d ₁	e	h	p	L	ES	Weight
Lower	41M - G 1/2 A	0.59"	1.98"	0.16"	6.33"	5.88"		4.60"		0.78"	0.86"	2.44 lbs
	43M - 1/2-14 NPT	(15)	(50,5)	(16,5)	(161)	(149,6)		(117)		(20)	(22)	(1,11 kg)
Back	41M - G 1/2 A	0.59"	1.98"		6.33"	5.88"	1.22"		3.50"	0.78"	0.86"	2.20 lbs
	43M - 1/2-14 NPT	(15)	(50,5)		(161)	(149,6)	(31)		(89)	(20)	(22)	(1,0 kg)

dimensions : inches (mm)

OPTIONS

B - "U"-clamp, for back connection pressure gauges
C - Back flange, for lower connection pressure gauges
E - Front flange, for back connection pressure gauges
K10 - Accuracy class 1,0%
L21 - Maximum pointer IP 44 on plexiglas window (1)
T32 - Safety glass window

(1) Accuracy refers to the area free from the maximum pointer action.

"HOW TO ORDER" SEQUENCE

Section / Model / Case / Mounting / Diameter / Range / Process connection / Options
1 **01** **1** **A** **G** **41M** **B, C, E**
D **43M** **K10...T32**