



Diaphragm seals are designed to isolate the sensing element of pressure gauges and pressure switches from process fluids that may be corrosive, viscous, sedimentous and/or with a high temperature. The diaphragm is welded to the body, to ensure separation of the filling fluid from the process medium. The threaded connection make it easy to use on all applications where the reduced size of the system is important and also where gauges of 2.5" (63 mm) diameter are required.

4.MIA - MGS9/MINI/A

Working pressure: up to 0...6000 psi (up to 0...400 bar), as from RANGES table.

Working temperature: -49...302 °F (-45...+150°C).

Accuracy(1): (add to instrument accuracy) ±1,0 % for direct mounting; ± 1% for capillary mounting.

Instrument connection: AISI 316 L st.st.

Diaphragm: welded,

4 - AISI 316 L st.st.

Process connection:

5 - AISI 316 L st.st.

Filling liquid: silicon oil.

4.MIB - MGS9/MINI/B

Working pressure: up to 0...1000 psi (up to 0...60 bar), as from RANGES table.

Other features: as model MGS9/MIA.

RANGES

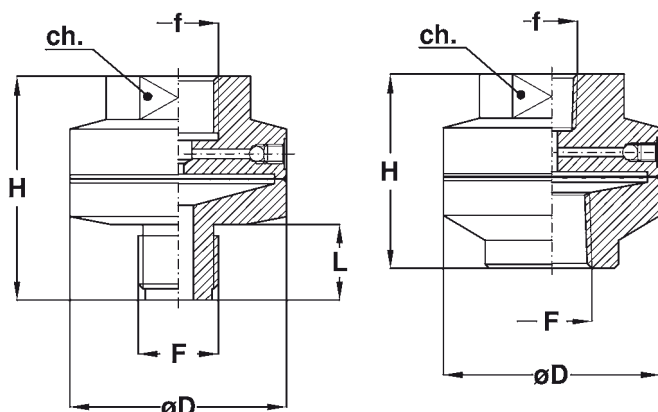
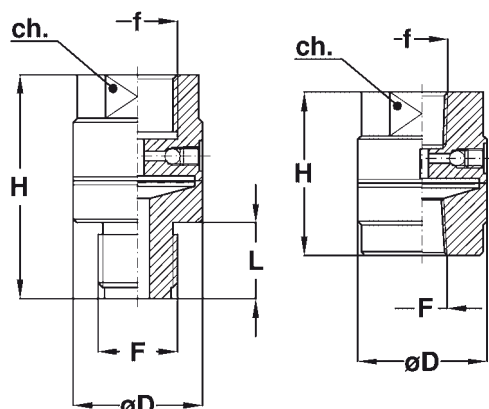
Gauge DS	MGS9/MIA	MGS9/MIB
2.5" (63 mm)	0...60/0...6000 psi (0...4/0...400 bar)	-30...0 InHG /0...1000 psi (-1...0/0...60 bar)
4" ...6" (100...150 mm)	0...200/0...6000 psi (0...16/0...400 bar)	

(1) at 68°F (20 °C) process temperature (or state temperature when ordering)

MGS9/MIA

MGS9/MIB

f
41F - G 1/2
21F - G 1/4
23F - 1/4-18 NPT



F (1)	D	H	Ch	L
23F 1/4-18 NPT F	1.33" (34)	1.69" (43)	1.06" (27)	-
43M 1/2-14 NPT M	1.33" (34)	2.32" (59)	1.06" (27)	0.78" (20)
43F 1/2-14 NPT F	1.33" (34)	1.69" (43)	1.06" (27)	-
41M G 1/2 B	1.33" (34)	2.32" (59)	1.06" (27)	0.78" (20)

(1)other threads available on request
dimensions : inches (mm)

F (1)	D	H	Ch	L
23F 1/4-18 NPT F	2.24" (57)	2" (51)	1.25" (32)	-
43M 1/2-14 NPT M	2.24" (57)	2.32" (59)	1.25" (32)	0.78" (20)
43F 1/2-14 NPT F	2.24" (57)	2" (51)	1.25" (32)	-
41M G 1/2 B	2.24" (57)	2.32" (59)	1.25" (32)	0.78" (20)

(1)other threads available on request
dimensions : inches (mm)

ASSEMBLING

All diaphragm seals are mounted on the instruments and fixed by an aluminium protection label.

OPTIONS

G - Mineral oil filling
P04 - Dye penetrant test

"HOW TO ORDER" SEQUENCE

Section/Model/Connection material/Diaphragm material/Process	Connection/Instrument connection/Assembling/Options
4 MIA MIB 5 4	41M 21F D G 43M 23F P04 23F 41F 43F