

**differential pressure gauges PN 100
with single diaphragm
DS 6" (150mm)**

MD13



CE PED 97/23/CE
ATEX 94/9/CE

These instruments are used to check differential pressures of liquids which do not have high viscosity and do not crystallize.

2.13.1 - Standard Model

Accuracy class: 2,5 as per EN 837.
Scale amplitude: 180°.
Static Pressure: max 1500 psi (100 bar).
Ambient temperature: -13...+149°F (-25...+65 °C.)
Process fluid temperature: +302°F (+150 °C).
Thermal drift: ± 0,8 % every ±50°F (± 10° C) of ambient temperature
Protection degree: IP 55 as per EN 60529 / IEC 529.
Socket material: AISI 316L st.st.
Elastic element: Duratherm diaphragm.
Gasket: VITON and PTFE.
Case: AISI 304 st.st.
Ring: AISI 304 st.st., bayonet lock
Window: tempered glass.
Movement: stainless steel.
Dial: aluminium, white with black markings
Pointer: adjustable, aluminium, black.
Weight: 12.12 lbs (5,5 kg).

RANGE	mbar	mmH ₂ O	bar	kPa
0...0,6			♦	
0... 1			♦	
0...1,6			♦	
0...2,5			♦	
0...4			♦	
0...6			♦	
0...10			♦	
0...16			♦	
0...25			♦	
0...40				♦
0...60				♦
0...100				♦
0...160				♦
0...250				♦
0...400	♦			♦
0...600	♦			♦
0...1000	♦			♦
0...1600	♦			
0...2500	♦			
0...4000		♦		
0...6000		♦		
0...10000		♦		

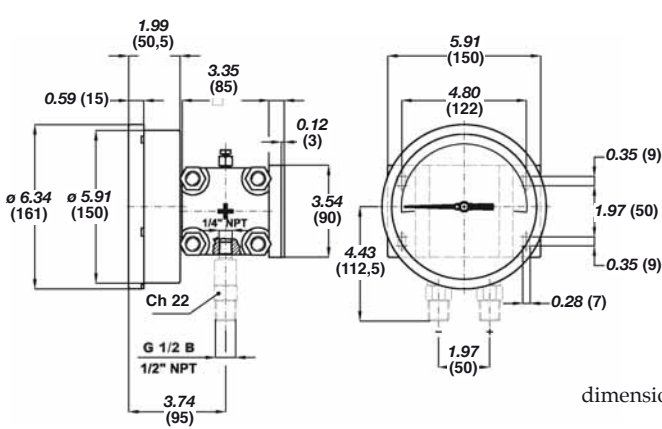


For use in potentially explosive atmospheres, instruments must be designed in conformity to ATEX 94/9/CE.
 This version is shown on separate data sheet available on request.

differential pressure gauges PN 100
with single diaphragm, DS 6" (150mm)

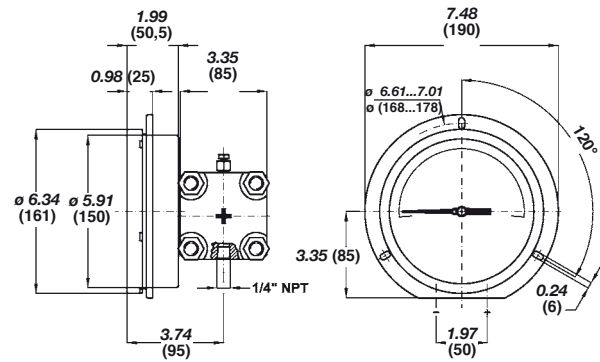
MD13

RR4-03/13



dimensions : inches (mm)

Lower (Mounting code A) , with back flange (Option code C)



Lower (Mounting code A) , with front flange (Option code E)

OPTIONS

C - Back flange	R10 - Glycerine filled case. Ambient temp. +32...+149 °F (0...+65 °C).	(2)
E - Front flange	R11 - Silicon oil filled case. Ambient temp. -40...+149°F (-40...+65 °C).	(1) (2)
C40 - Case and ring AISI 316L st.st.	S31 - 2" pipe mounting bracket	
E65 - Protection degree IP65	T01 - Tropicalization	(2)
L22 - Maximum pointer IP65 on Plexiglas window	T32 - Safety glass window	(2) (3)
2G9 - Execution: ATEX : II 2G c		(2)
2D9 - Execution: ATEX : II 2GD c		

(1) For constructive details see Atex execution catalogue sheet
 (3) Not available with electric contacts

(2) Codes, description and wiring on data-sheet MN14

"HOW TO ORDER" SEQUENCE

Section / Model / Case / Mounting / Diameter / Special version / Range / Process connection / Options
 2 13 1 A G --- 41M - G 1/2 A M C, E
 43M - 1/2" NPT M E65...T32
 23F - 1/4" NPT F