

CSAG-PT440/450

Strong Erosion Resistance Level Transmitter

Feature

- ◇ Accuracy $\pm 0.5\%F.S$, $\pm 0.25\%F.S$
- ◇ Ceramic sensor
- ◇ Small measurement range available
- ◇ Multiply measurement range and output
- ◇ Non-polarity two wire current output
- ◇

Application

- ◇ Strong erosion hydrologic
- ◇ Expensive hydraulic
- ◇ Corrosive medium
- ◇ High temperature field
- ◇ Inflammable field
- ◇ Explosion proof field

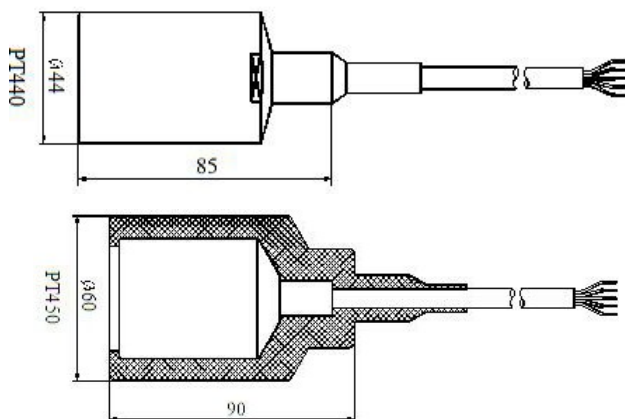
Description

CS-PT440/450 Level transmitter based on high ceramic capacitance sensor feature high reliability, long terms stability and high accuracy. Widely used in low range level measuring, such as water,oil,gas,liquefied gas, corrosive liquid and gas.

CS-PT440 is titanium alloy shell, Sensing element is ceramic piezoresistive sensor.

CS-PT450 is PTFE+ Titanium alloy shell. Sensing element is ceramic capacitive sensor

Structure





Technical Parameters

Parameter	Value			Note
Measure Range	0~0.5-50mH ₂ O			
Overload Pressure	1.5×RP(rated pressure)			
Broken Pressure	3×RP(rated pressure)			
Accuracy	±0.5%F.S, ±0.25%F.S			
Operate Temperature	- 20°C~+80°C (- 20°C~+120°C could be customized)			
Compensation Temperature	-10°C~70°C(whole operate temp. could be customized)			
Media Compatibility	corrosive medium compatible with ceramic and PTFEL			
Wires	Two-wire	Three -wire	Three -wire	
Output Signal	4~20mA	0/1-5V	0-10V	
Power Supply	12~30Vdc	12~30Vdc	12~30Vdc/ac	
Load	(U-10)/0.02(Ω)	>100kΩ		
Insulation	> 100M Ω@50V			
Electrical connector	Six level protection.IP68			
Pressure Port	Embedded type			
Response Time	10ms			
Pressure Form	Gauge G			
EMC	EMI:EN50081-1/-2: EMS: EN50082-2			

Type Selection Guide

CS-PT440/450

Measure Range 0~XXX

Unit

H=H²O K=kPa,
M=MPa B= bar

Output Signal

A=4~20mA V0=0-5V,,
V1=1-5V, V2=0-10V

Accuracy Level

5=0.5%F.S,2=0.25%F.S

Pressure Port

EM=Embedded type

