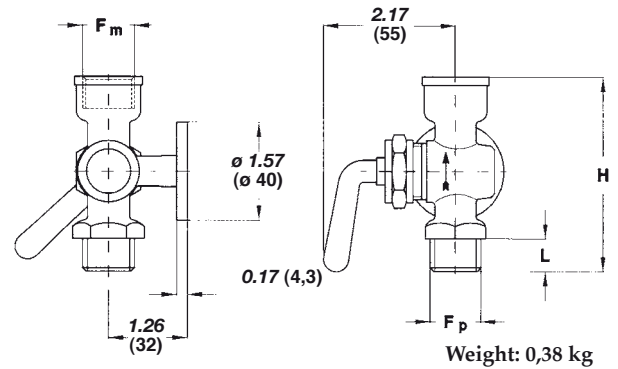




**5.02F - MP3/2F** - Three way cock, with a  $\phi 1.57''$  ( $\phi 40$ mm) flanged connection for test pressure gauge

**Body:** brass.  
**Cylindrical needle plug:** brass.  
**Wheel:** brass.  
**Seal:** mechanical.



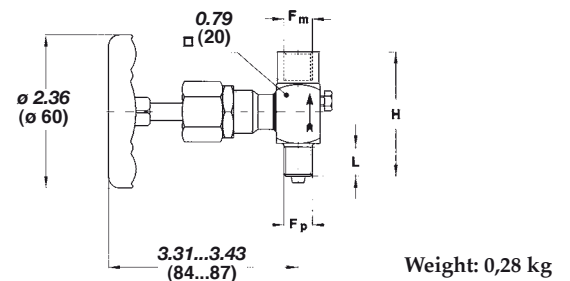
Body	Cod.	Class (PN)	°F (°C)
brass	<b>0</b>	232 psi (16 bar)	+50...+356 (+10...+180)

Cod.	Fp-Fm	L	H
<b>21M x 21F</b>	G 1/4 B M x G 1/4 B F	0.43 (11)	2.64 (67)
<b>31M x 31F</b>	G 3/8 B M x G 3/8 B F	0.51 (13)	2.91 (74)
<b>41M x 41F</b>	G 1/2 B M x G 1/2 B F	0.55 (14)	3.15 (80)

dimensions : inches (mm)

**5.330 - MP3/33** - Two way needle valve; DN 1/4"

**Body:** AISI 316 st.st.  
**Needle plug:** AISI 420 st. with carbon steel body;  
 AISI 316 st.st. stelite tipped with AISI 316 st.st. body.  
**Wheel:** painted steel plate.  
**Packing seal:** Grafoil.



Body	Cod.	Class (PN)	°F (°C)
AISI 316 st.st.	<b>4</b>	2000 psi (150 bar)	+14...+356 (-10...+180)

Cod.	Fp-Fm	L	H
<b>21F x 21F</b>	G 1/4 B F x G 1/4 B F	-	2.36 (60)
<b>21M x 21F</b>	G 1/4 B M x G 1/4 B F	0.59 (15)	2.24 (57)
<b>23F x 23F</b>	1/4" NPT F x 1/4" NPT F	-	2.36 (60)
<b>23M x 23F</b>	1/4" NPT M x 1/4" NPT F	0.59 (15)	2.36 (60)

dimensions : inches (mm)

**Constructive characteristics for 2, 3 ways valves**

**Body:** ASTM A/105 carbon steel, AISI 316 st.st., drop-forged.

**Needle plug:** AISI 420 st. with ASTM A/105 c. st. body;  
AISI 316 st.st. stelite tipped with AISI 316 st.st. body.

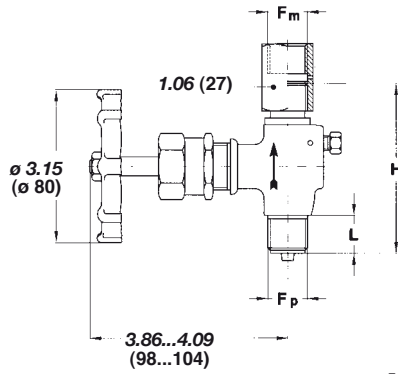
**Seat:** AISI 316 st.st.; deposited AISI 316 st.st. for ASTM A/105 c.st. body.

**Wheel:** ribbed galvanized steel plate.

**Gasket seal:** Grafoil.

Body	Cod.	Class (PN)	°F (°C)
ASTM A/105 c.st.	3	3600 psi (250 bar)	-4...+570 (-20...+300)
AISI 316 st.st.	4	5800 psi (400 bar)	-22...+570 (-30...+300)

**5.340 - MP3/34 - Two ways valve with a bleeding screw, type UNI 4669, UNAV 8828.1, DIN 16270**



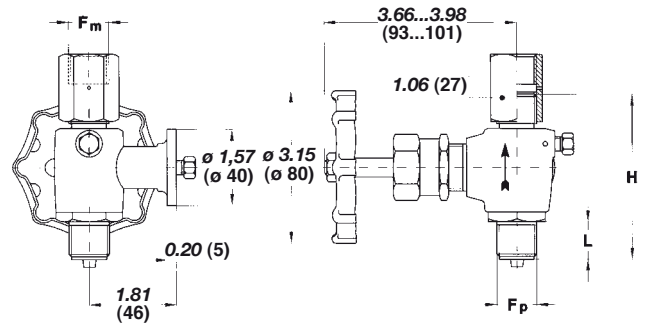
Weight: 0,73 kg

Cod.	Fp-Fm	L	H
21M x 41F	G 1/4 BM x G 1/2 BF (1)	0.67 (17)	3.50 (89)
41M x 41F	G 1/2 BM x G 1/2 BF	0.79 (20)	3.50 (89)

(1) c.st. only

dimensions : inches (mm)

**5.34F - Mp3/34F - Three ways valve, with a ø 1.57" (ø 40mm) flanged connection for test pressure gauge and bleeding screw**

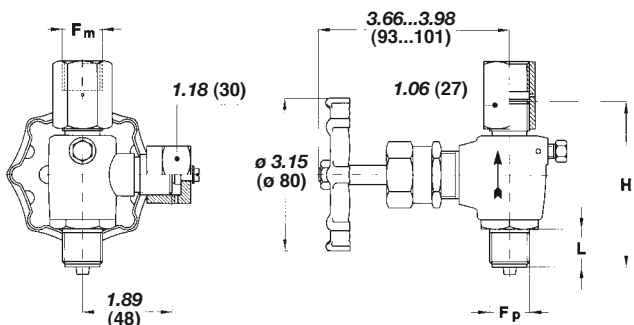


Weight: 1 kg

Cod.	Fp-Fm	L	H
21M x 41F	G 1/4 BM x G 1/2 BF (2)	0.67 (17)	3.46 (88)
41M x 41F	G 1/2 BM x G 1/2 BF	0.79 (20)	3.46 (88)

(2) AISI 316 st.st. only

**5.350 - MP3/35 - Three ways valve with threaded connection for test pressure gauges, type UNI 4670, UNAV 8830.1, DIN 16271**



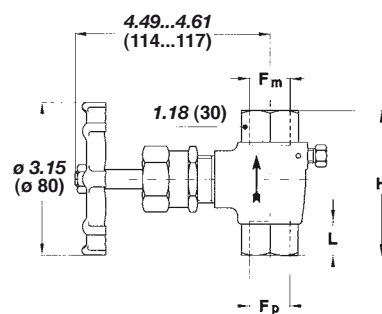
Weight: 1 kg

Cod.	Fp-Fm	L	H
21M x 41F	G 1/4 BM x G 1/2 BF (1)	0.67 (17)	3.46 (88)
41M x 41F	G 1/2 BM x G 1/2 BF	0.79 (20)	3.46 (88)

(1) c.st. only

dimensions : inches (mm)

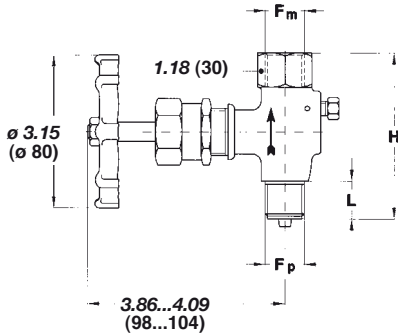
**5.370 - MP3/37 - Two ways valve with bleeding screw**



Weight: 0,74 kg

Cod.	Fp-Fm (welding)	L	H
2A0 x 2A0	1/4" x 1/4"	0.67 (17)	3.03 (77)
4A0 x 4A0	1/2" x 1/2"	0.71 (18)	3.03 (77)

5.360 - MP3/36 - Two ways valve with bleeding screw

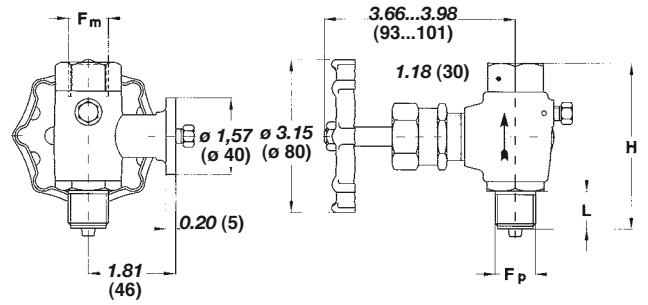


Weight: 0,65 kg

Cod.	Fp-Fm	L	H
21F x 41F	G 1/4 B F x G 1/2 B F	0.67 (17)	3.03 (77)
21M x 41F	G 1/4 B M x G 1/2 B F	0.67 (17)	3.46 (88)
41F x 41F	G 1/2 B F x G 1/2 B F	0.79 (20)	3.03 (77)
41M x 41F	G 1/2 B M x G 1/2 B F	0.79 (20)	3.46 (88)
23F x 43F	1/4" NPT F x 1/2" NPT F	-	3.03 (77)
23M x 43F	1/4" NPT M x 1/2" NPT F	0.67 (17)	3.46 (88)
43F x 43F	1/2" NPT F x 1/2" NPT F	-	3.03 (77)
43M x 43F	1/2" NPT M x 1/2" NPT F	0.79 (20)	3.46 (88)

dimensions : inches (mm)

5.36F - MP3/36F - Three ways valve, with a 1.57" (ø 40mm) flanged connection for test pressure gauge and bleeding screw



Weight: 0,92 kg

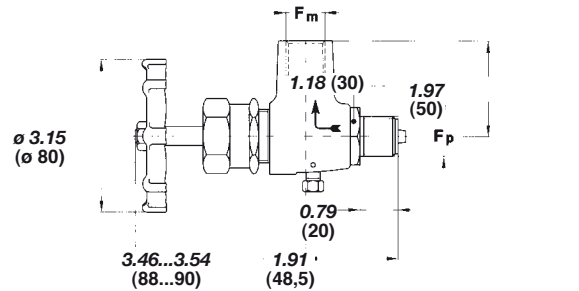
Cod.	Fp-Fm	L	H
21F x 41F	G 1/4 B F x G 1/2 B F	0.67 (17)	3.03 (77)
21M x 41F	G 1/4 B M x G 1/2 B F	0.67 (17)	3.46 (88)
41F x 41F	G 1/2 B F x G 1/2 B F	0.79 (20)	3.03 (77)
41M x 41F	G 1/2 B M x G 1/2 B F	0.79 (20)	3.46 (88)
23F x 43F	1/4" NPT F x 1/2" NPT F	-	3.03 (77)
23M x 43F	1/4" NPT M x 1/2" NPT F	0.67 (17)	3.46 (88)
43F x 43F	1/2" NPT F x 1/2" NPT F	-	3.03 (77)
43M x 43F	1/2" NPT M x 1/2" NPT F	0.79 (20)	3.46 (88)

dimensions : inches (mm)

5.380 - MP3/38 - Two ways angle (90°) valve with bleeding screw

Body	Cod.	Class (PN)	°F (°C)
AISI 316 st.st.	4	5800 psi (400 bar)	-22...+570 (-30...+300)

Cod.	Fp-Fm
41M x 41F	G 1/2 B M x G 1/2 B F
43M x 43F	1/2" NPT M x 1/2" NPT F



dimensions : inches (mm) Weight: 0,83 kg

5.060 - MP3/6 - Duplex valve

Body: ASTM A/105 carbon steel, AISI 316 st.st., drop-forged.

Needle plug: AISI 420 st. with ASTM A/105 c. st. body; AISI 316 st.st. stellite tipped with AISI 316 st.st. body.

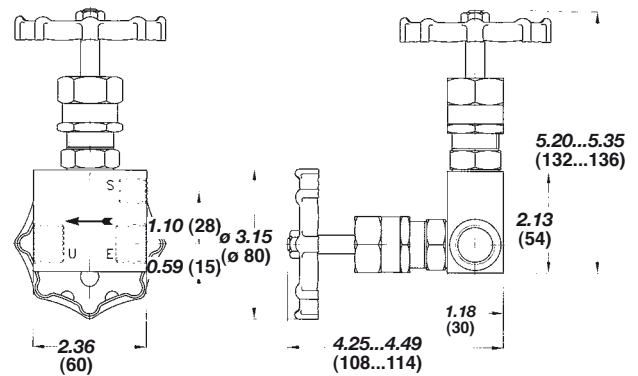
Seat: AISI 316 st.st.

Wheel: ribbed galvanized steel plate.

Gasket seal: Grafoil.

Process connection: 1/2" NPT F.

Drain connection: 1/4" NPT F.



dimensions : inches (mm) Weight: 1,22 kg

Body	Cod.	Class (PN)	°F (°C)
ASTM A/105 c.st.	3	2900 psi (200 bar)	-4...+570 (-20...+300)
AISI 316 st.st.	4	2900 psi (200 bar)	-22...+570 (-30...+300)

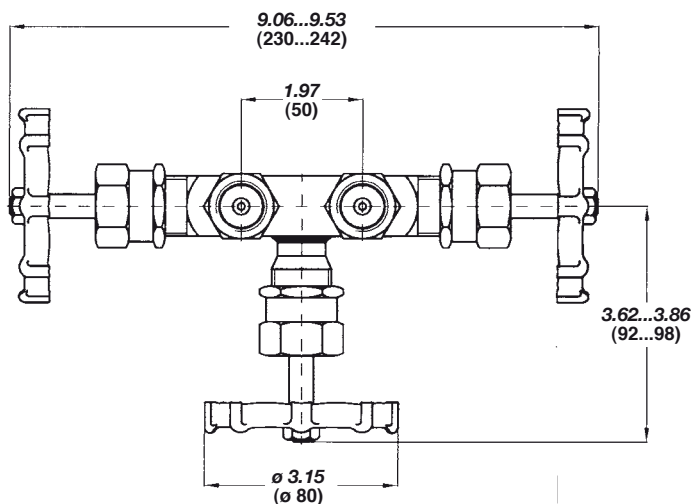
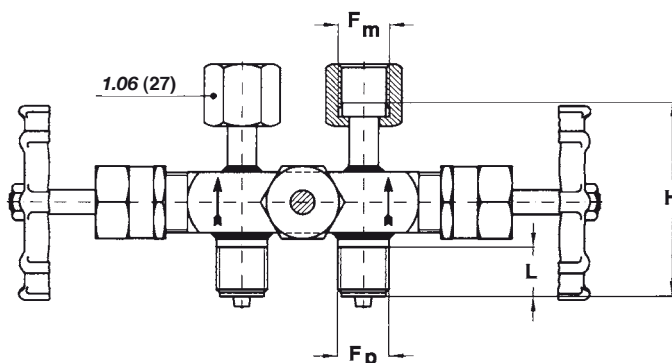
5.050 - MP3/5 - By-pass valve

Body: AISI 316 st.st., bar-stock.

Needle plug: AISI 316 st.st. stelite tipped.

Wheel: ribbed galvanized steel plate.

Gasket seal: Grafoil.



Weight: 1,50 kg

Body	Cod.	Class (PN)	°F (°C)
AISI 316 st.st.	4	2900 psi (200 bar)	+4...+570 (-20...300)

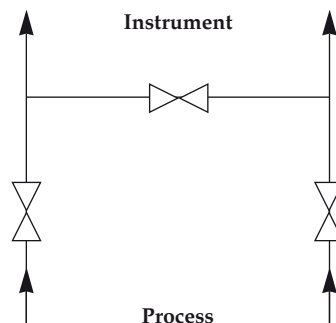
Cod.	Fp-Fm	L	H
21M x 21F	G 1/4 B M x G 1/4 B F	0.67 (17)	3.23 (82)
41M x 41F	G 1/2 B M x G 1/2 B F	0.79 (20)	3.15 (80)
23M x 23F	1/4" NPT M x 1/4" NPT F	0.67 (17)	3.23 (82)
43M x 43F	1/2" NPT M x 1/2" NPT F	0.79 (20)	3.15 (80)

dimensions : inches (mm)

OPTIONS

<b>P07</b> - Oxygene service, "all stainless steel" version (1)
<b>P04</b> - Tag punching
<b>BTP</b> - PTFE gasket seal for temperature ≤ 356°F - 180 °C)
<b>TAI</b> - "all stainless steel" version for AISI 316 st.st. valves (1)

(1) Not available for 5.02F and 5.330 models.



"HOW TO ORDER" SEQUENCE

Section / Model/	Material /	Process connection /	Instrument connection /	Options
5	02F	0	21M, 31M, 41M	21F, 31F, 41F P02...TAI
	340	3	23M, 43M	23F, 43F
	34F	4	21F, 41F	2A0, 4A0
	350		23F, 43F	
	370		2A0, 4A0	
	360			
	380			
	060			
	050			