

# bar stock needle valve, block and bleed

# BSV/VV-

- ✓ - Pressure gauges, pressure switches and transmitters
- ✓ - Process, chemical and petrochemical industry
- ✓ - AISI 316L st.st or special materials wetted parts
- ✓ - Non-rotating needle
- ✓ - Operating temperature : -54...+550°C
- ✓ - Stem protected from system media
- ✓ - St.st. stop pin

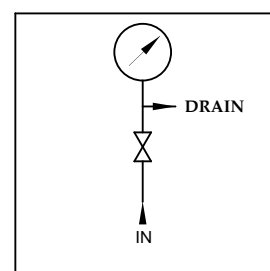
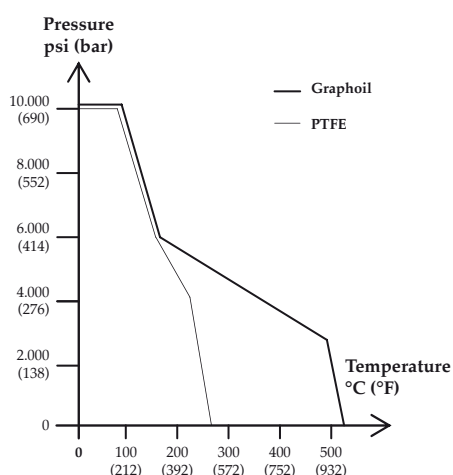


## Technical features

- Rating:** 6000 psig; or 10000 psig (code **10K**).
- Tee-bar:** AISI 303 st.st.
- Stem:** AISI 316 L st.st.
- Non-rotating needle:** AISI 316 L st.st (code **5**), (or special materials).
- Bonnet:** AISI 316 L st.st (code **5**), (or special materials).
- Packing:** PTFE or Graphoil (see chart below).
- Nuts:** carbon steel.
- Line dust cup:** Hytrel, blu.
- Bonnet seal:** AISI 316L st.st. seal.
- Valve body and drain plug:** AISI 316 L st.st. (code **5**), (or special materials).



Fig. 1 - Sectioned bonnet

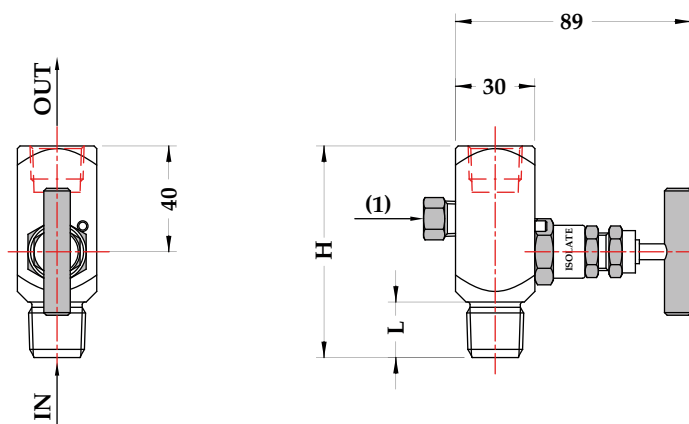


## OPTIONS

<b>10K</b> - Rating bonnet : 10000 psi	<b>LOK</b> - T-Bar handle locking
<b>ANT</b> - Anti-tamper	<b>P02</b> - Oxygen service
<b>E30</b> - NACE version as per MR 0103/0175-ISO15156	<b>SMI</b> - Tag
<b>GRA</b> - Graphoil packing	

5.VVM - BSV/VVM - male process connection

RB0 - 05/10



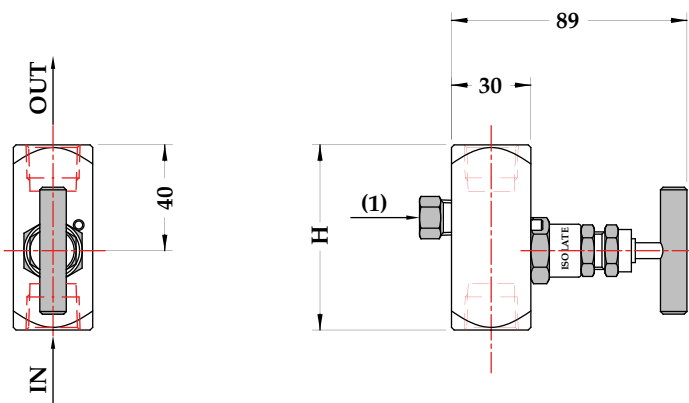
Weight : 0,53 kg

Code	IN-OUT	H	L
<b>43M x 43F</b>	1/2" NPT M x 1/2" NPT F	80	20

(1) Drain 1/4" NPT F with plug

dimensions : mm

5.VVF - BSV/VVF - female process connection



Weight : 0,48 kg

Code	IN-OUT	H
<b>43F x 43F</b>	1/2" NPT F x 1/2" NPT F	70

(1) Drain 1/4" NPT F with plug

dimensions : mm

"HOW TO ORDER" SEQUENCE

Section / Model / Material / Process connection / Instrument connection / Options  
 5 **VVM** 5 **43M** **43F** **10K...SMI**  
**VVF** **43F**