

bar stock needle valve, block, multiport

BSV/VM-



- ✓ - Pressure gauges, pressure switches and transmitters
- ✓ - Process, chemical and petrochemical industry
- ✓ - AISI 316L st.st or special materials wetted parts
- ✓ - Non-rotating needle
- ✓ - Operating temperature : -54...+550°C
- ✓ - Stem protected from system media
- ✓ - St.st. stop pin

Technical features

Rating: 6000 psig; or 10000 psig (code **10K**).

Tee-bar: AISI 303 st.st.

Stem: AISI 316 L st.st.

Non-rotating needle: AISI 316 L st.st (code **5**), (or special materials).

Bonnet: AISI 316 L st.st (code **5**), (or special materials).

Packing: PTFE or Graphoil (see chart below).

Nuts: carbon steel.

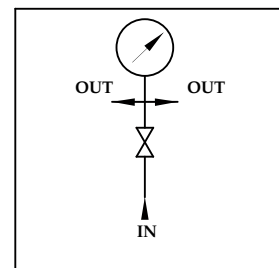
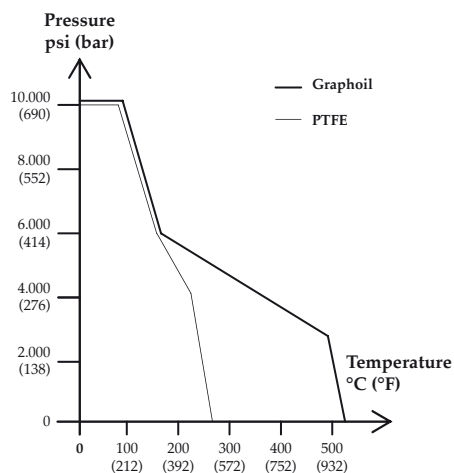
Line dust cup: Hytrel, blu.

Bonnet seal: AISI 316L st.st. seal.

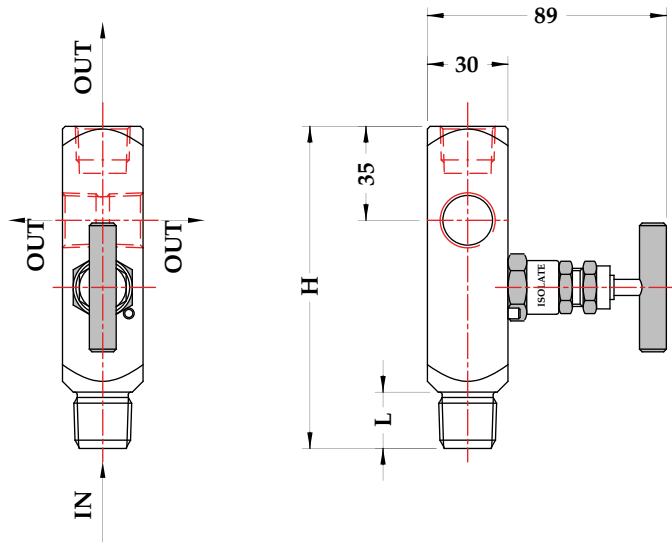
Valve body and drain plug: AISI 316 L st.st. (code **5**), (or special materials).



Fig. 1 - Sectioned bonnet



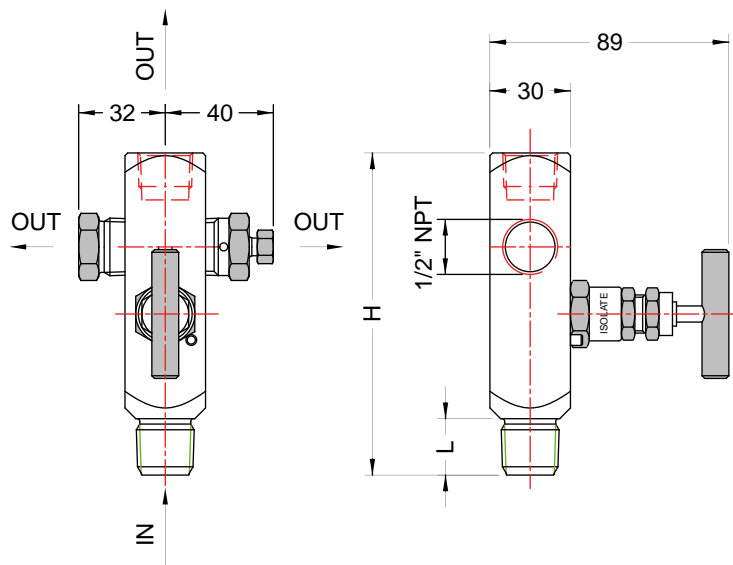
5.VMM - BSV/VMM - male process connection



Weight: 0,82 kg.

Code	IN-OUT	H	L
43M x 43F	1/2" NPT M x 1/2" NPT F	120	20

dimensions : mm



VARIABILI

10K - Rating bonnet : 10000 psi	LOK - T-Bar handle locking
ANT - Anti-tamper	P02 - Oxygen service
E30 - NACE version as per MR 0103/0175-ISO15156	SMI - Tag
GRA - Graphoil packing	

"HOW TO ORDER" SEQUENCE

Section / Model / Material / Process connection / Instrument connection / Options
 5 VMM 5 43M 43F 10K...SMI