

# bar stock five-valve manifold, block, bleed and equalizer, direct mounting

# BSM/M5B

- ✓ - Differential pressure gauges
- ✓ - Process, chemical and petrochemical industry
- ✓ - AISI 316L st.st or special materials wetted parts
- ✓ - Non-rotating needle
- ✓ - Operating temperature : -54...+550°C
- ✓ - Stem protected from system media
- ✓ - St.st. stop pin



## Technical features

**Rating:** 6000 psig; or 10000 psig (code **10K**).

**Tee-bar:** AISI 303 st.st.

**Stem:** AISI 316 L st.st.

**Non-rotating needle:** AISI 316 L st.st (code **5**), (or special materials).

**Bonnet:** AISI 316 L st.st (code **5**), (or special materials).

**Packing:** PTFE or Graphoil (see chart below).

**Nuts:** carbon steel.

**Line dust cup:** Hytrel, blu..

**Drain dust cup:** Hytrel, red.

**Equalizer dust cup:** Hytrel, green.

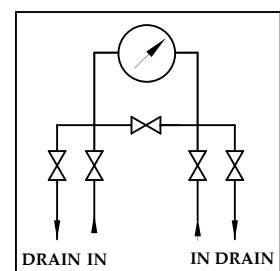
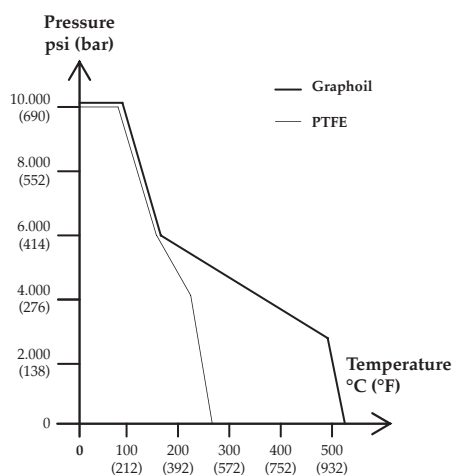
**Bonnet seal:** AISI 316L st.st. seal.

**Manifold body and drain plug:** AISI 316 L st.st. (code **5**), (or special materials).

**Weight:** 2,8 kg.



Fig. 1 - Sectioned bonnet



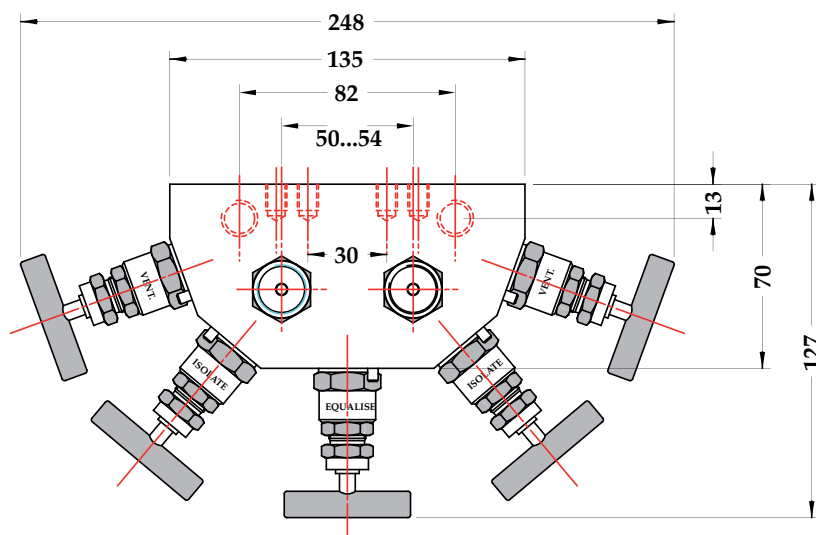
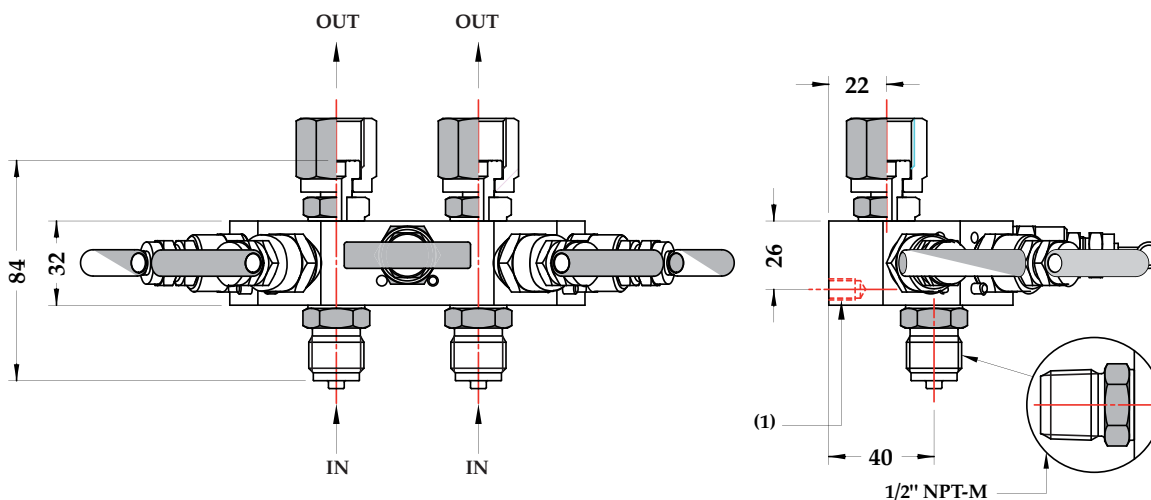
# bar stock five-valve manifold, block, bleed and equalizer, direct mounting

# BSM/M5B

## 5.M5B - BSM/M5B - male process connection

RB0 - 05/10

IN ORDER TO IMPROVE THEIR PRODUCTION, MESSRS. NUOVA FIMA RESERVE THE RIGHT TO THEMSELVES TO MAKE ALL THE MODIFICATIONS THAT THEY DEEM INDISPENSABLE AT ANY TIME. UPDATED DATA SHEETS ARE AVAILABLE ON SITE: [www.nuovafima.com](http://www.nuovafima.com)



Code	IN - OUT
41M x 41F	G 1/2 A x G 1/2 swivel
43M x 41F	1/2" NPT M x G 1/2 swivel

(1) No. 4 fixing holes M8

dimensions : mm

## OPTIONS

<b>10K</b> - Rating bonnet : 10000 psi	<b>LOK</b> - T-Bar handle locking
<b>ANT</b> - Anti-tamper	<b>P02</b> - Oxygen service
<b>E30</b> - NACE version as per MR 0103/0175-ISO15156	<b>S31</b> - 2" stake's mounting bracket
<b>GRA</b> - Graphoil packing	<b>SMI</b> - Tag

## "HOW TO ORDER" SEQUENCE

Section / Model / Material / Process connection / Instrument connection / Interaxis / Options  
 5 M5B 5 41M 41F 050 10K...SMI  
 43M 054