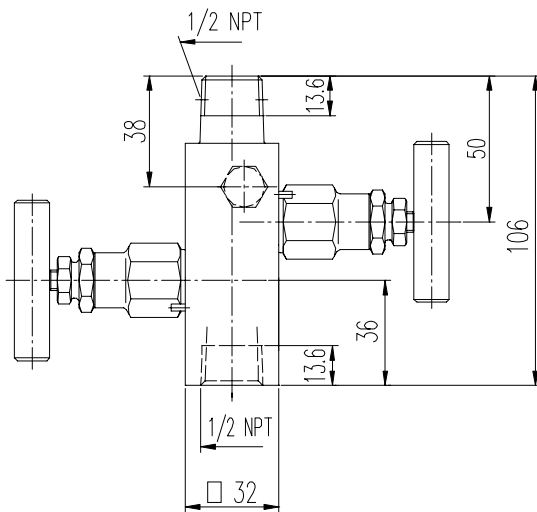
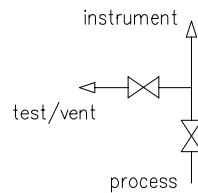
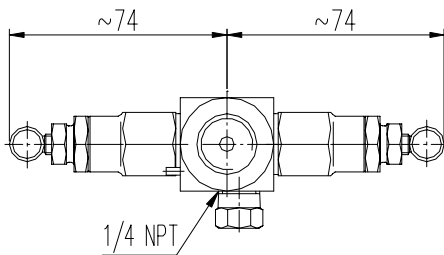
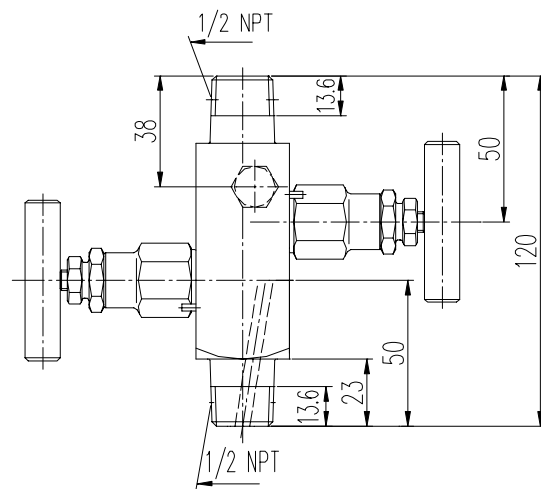
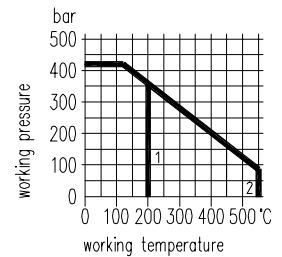


**Type 1**

**Type 2**

 1 PTFE packing  
 2 graphite packing


Type	Material	Connections			Part no.
		Inlet	Outlet	Test / Vent	
1	st. st.	1/2 NPT female	1/2 NPT male	1/4 NPT female with screw plug	N354.66.403.05
2	st. st.	1/2 NPT male			N354.60.402.05

Components	Stainless steel <sup>1)</sup>
	DIN - Material Number
Body <sup>2)</sup>	1.4404 / 316L
Bonnet	1.4401 / 316
Valve stem	1.4404 / 316L
Needle tip <sup>3)</sup>	1.4571
Packing	PTFE up to 200°C (graphite up to 550°C)
Gland nut	1.4301
T-handle	stainless steel

- Working pressure up to 700 bar (10.000 psi) on request
- External stem thread
- Stem with cold rolled surface, back seat and non-rotating needle tip
- The valves can be supplied according to NACE-standard

On request:

- Anti-tamper facility
- Panel mounting
- Extended body on male inlet port
- Padlocking facility

- 1) Can also be supplied for oxygen service. Please notice order instruction B 3!
- 2) Available with inspection certificate 3.1 acc. to EN 10 204
- 3) Also available with soft tip in KEL-F® (PCTFE) or POM