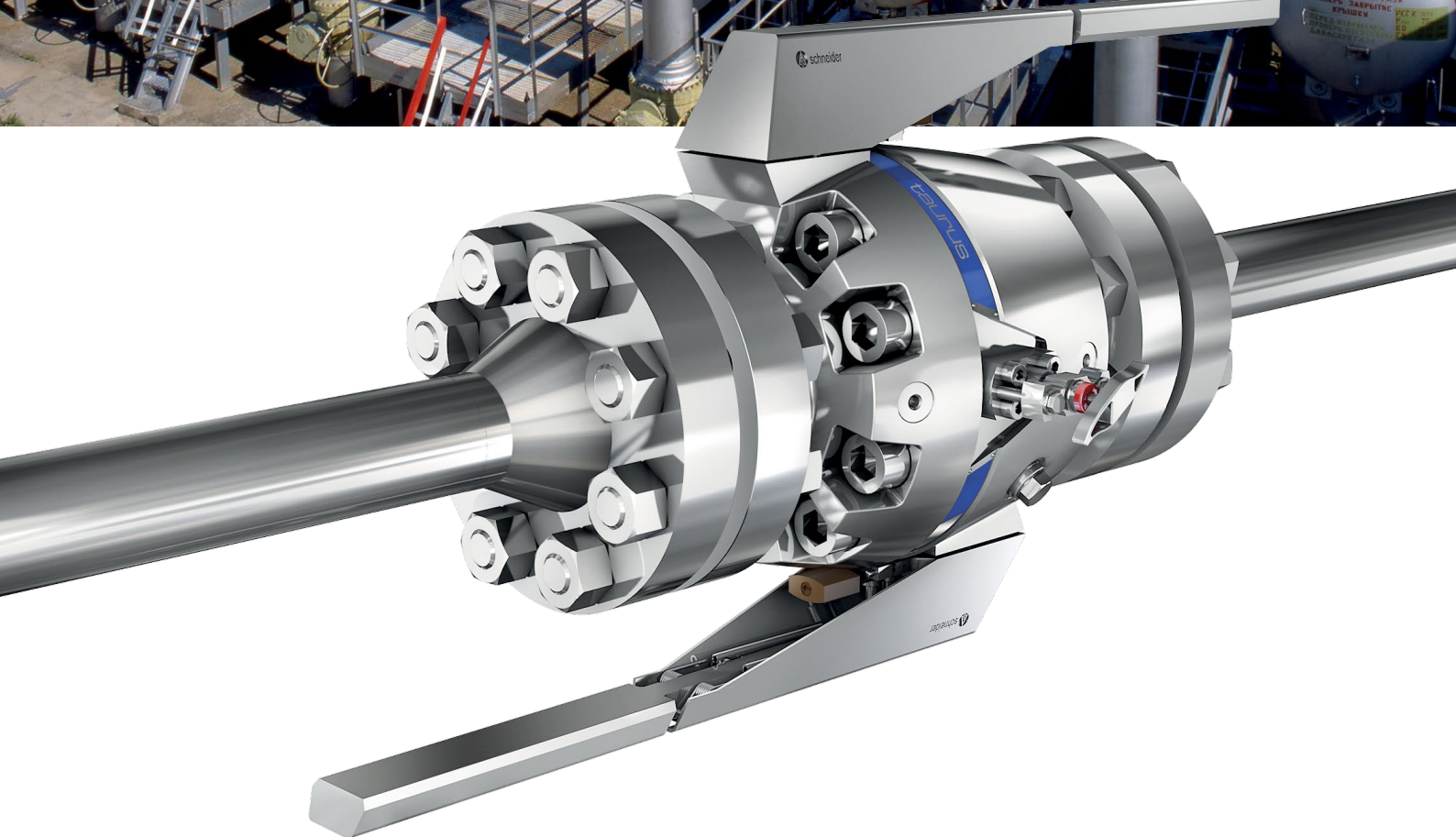


Double Block & Bleed Pipeline Ball Valves

Taurus Series



General Features

Features

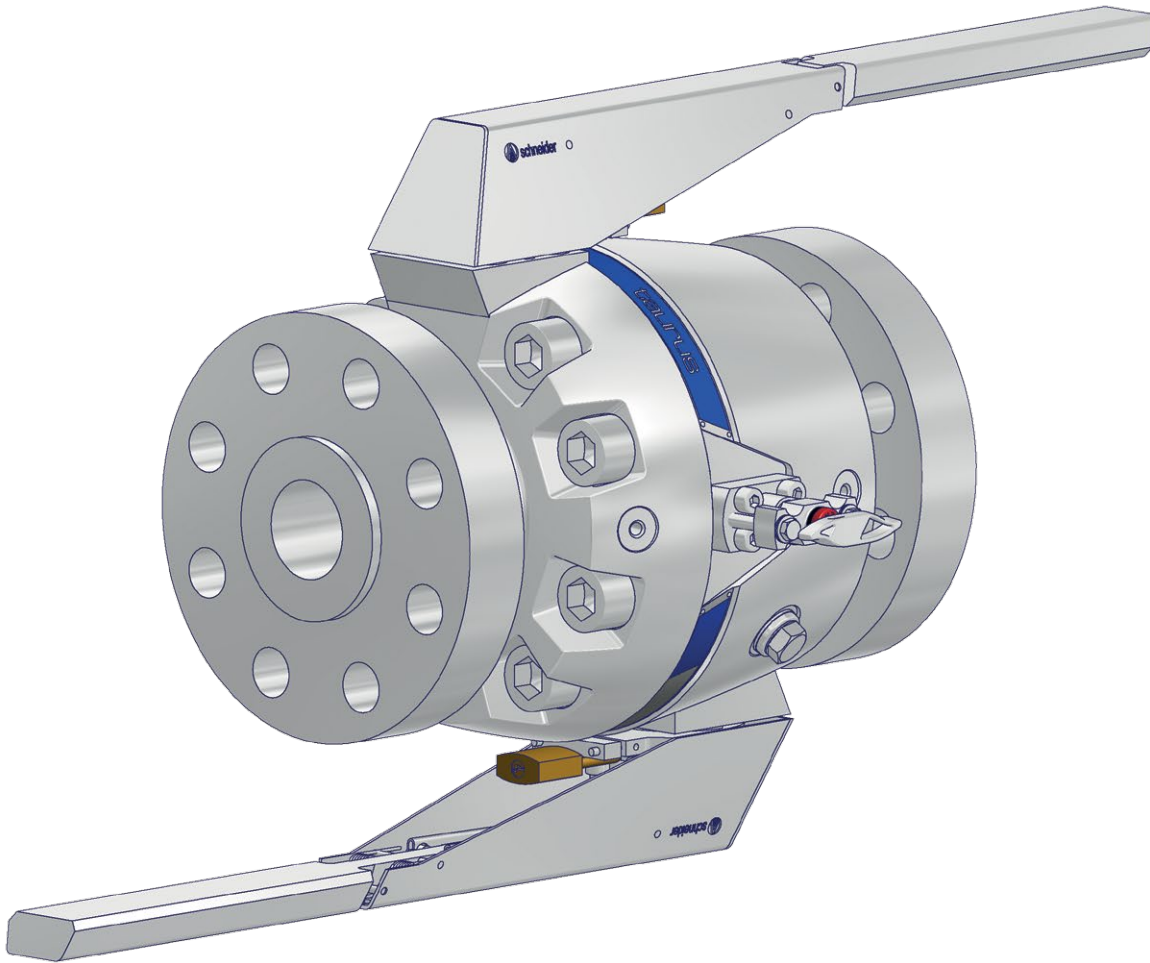
- DESIGNED IN ACCORDANCE WITH INDUSTRY STANDARDS
i.e. ASME B16.34, ASME B31.3, ASME B16.5, API 6D / ISO 14313
- FULL BORE OR REDUCED BORE
- STANDARD MATERIALS OF CONSTRUCTION
are forged Carbon Steel LF2, Stainless Steel 316 and Duplex.
- PRESSURE CLASS 150 TO 2,500
- FIRE SAFE IN ACCORDANCE TO API 607 AND ISO 10497
- COMPLIANT TO NACE MR0175 AND ISO 15156
- FACTORY TESTED
in accordance with ASME B16.34, API 6D / ISO 14313, ISO 5208
- MANUFACTURED IN ACCORDANCE WITH THE PRESSURE EQUIPMENT DIRECTIVE
- BALL SEAT MATERIAL
PTFE, Devlon, PEEK or Metal Seated
- STEM SEAL MATERIAL
FKM, HNBR - RGD resistant (RGD = Rapid Gas Decompression) or Graphite
- ANTI-BLOWOUT STEM DESIGN AND ANTI-STATIC DESIGN
- WELD INLAY
Seat pocket and seal area overlay on request.
- BI-DIRECTIONAL
The Taurus Series floating and trunnion ball valves are bi-directional as standard.
- PAINTING
The valves can be supplied with any kind of adequate coatings for environmental protection, according to customers specifications.
- CERTIFICATION AND TRACEABILITY
Material test certificates 3.1 according to EN 10204. A unique code is stamped on all relevant components linking them with their material and chemical analysis certificates.

Manufactured according to the following Codes and Specifications

- ASME B31.3 Process Piping
- ASME B16.34 Valves – Flanged, Threaded and Welding End
- ASME B16.5 Pipe Flanges and Flanged Fittings
- ASME B16.10 Face-to-Face and End-to-End Dimensions of Valves
- ASME B16.11 Forged Fittings, Socket Welding and Threaded
- ASME B16.25 Buttwelding Ends
- NACE MR0175/ ISO 15156 Petroleum and Natural Gas Industries – Materials for use in H₂S-containing Environments in Oil and Gas Production
- API 6D/ ISO 14313 Specification for Pipeline Valves
Petroleum and Natural Gas Industries – Pipeline Transportation Systems – Pipeline Valves
- API 598 Valve Inspection and Testing
- ISO 5208 Industrial Valves – Pressure Testing of Metallic Valves
- API 607/ ISO 10497 Fire Test for Soft-Seated Quarter Turn Valves
Testing of Valves. Fire Type-testing Requirements
- MSS SP-25 Standard Marking System for Valves, Fittings, Flanges, and Unions

YOUR BENEFITS:

- Compact Assembly
- Reduced Weight
- Reduced Leak Paths
- Reduced Installation and Maintenance Costs
- Significant Space Savings



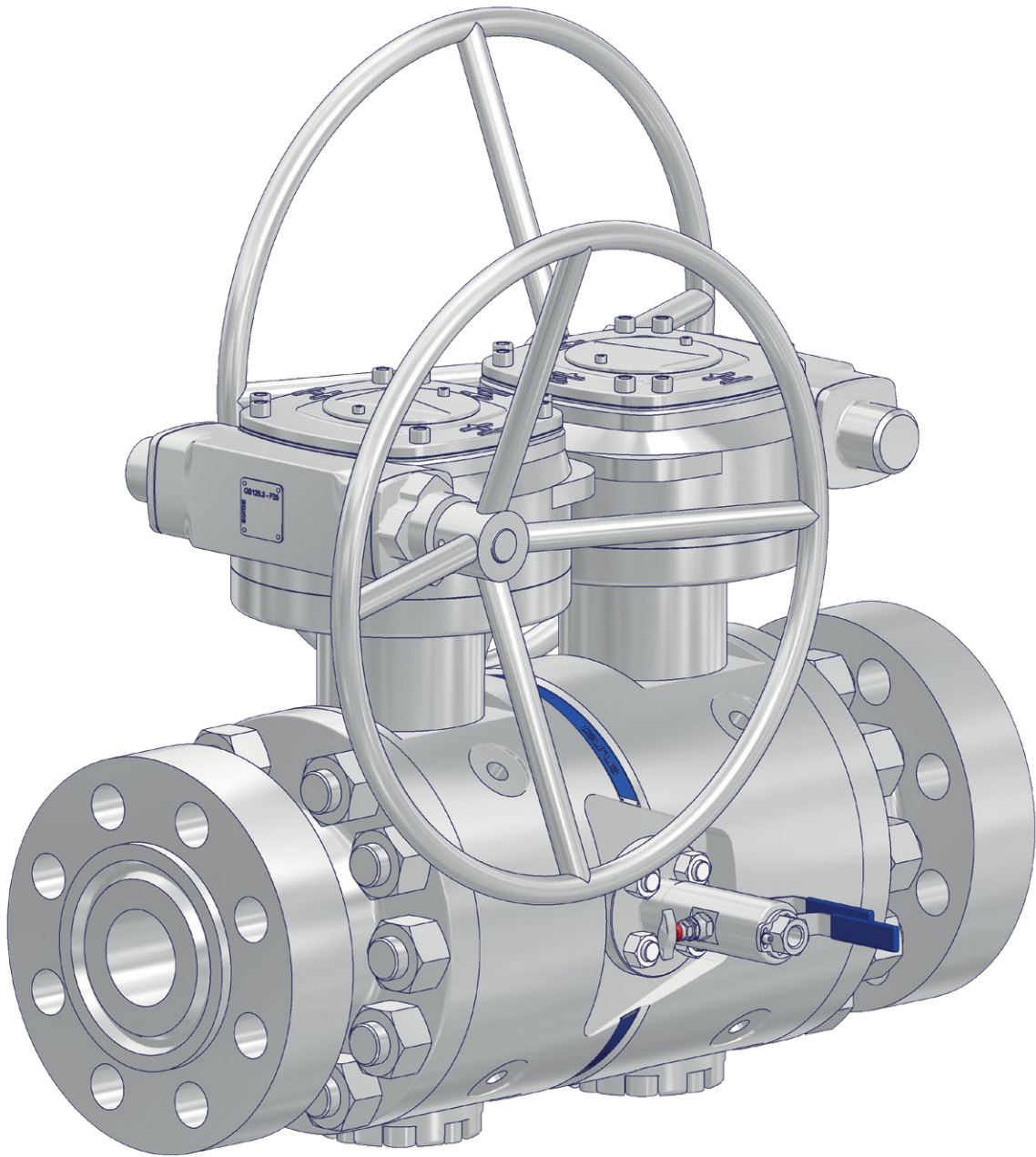
BASICALLY WE OFFER 2 DIFFERENT DESIGNS:

- 2 Piece Design
- 3 Piece Design
- Both Flanged Style and Side Entry

2 Piece Design, Flanged Style - Features

- Bore Size 1" through 2"
- Acc. to ASME B16.10 Standard Length
 - Floating Ball Design Class 600, 900 & 1,500
 - Trunnion Ball Design Class 900, 1,500 & 2,500
- Non Standard Length for Class 150 & 300
- Flanged Connections acc. to ASME B16.5
- Floating Ball Design and Trunnion Ball Design
- Vent: Integral Needle Valve
- Lockable Handle/Lever - removable, Gear Box Operation available. Actuator mounting flanges, unless otherwise specified, are in full accordance with ISO 5211.
- Forged Body

3 Piece Design, Flanged Style



3 Piece Design, Flanged Style - Features

- Bore Size 1" through 6"
- Non Standard Length face to face dimensions
- Flanged Connections acc. to ASME B16.5
- Floating Ball Design and Trunnion Ball Design
- Vent: Integral Needle Valve or Double Block & Bleed Option by VariAS-Block or Monoflange available
- Handle lockable and removable, Gear Box Operation as Standard. Actuator mounting flanges, unless otherwise specified, are in full accordance with ISO 5211.
- Forged Body

Ordering Information

		1	2	3	4	5	6	7	8	9	10	11	12	13	14	15	16
		T	2	D	L	-	1	F	A	1	F	A	-	N	0	0	1
T	Taurus																
Bore Size / Design																	
1	1" / Trunnion Ball Design	6	6" / Trunnion Ball Design														
2	2" / Trunnion Ball Design																
3	3" / Trunnion Ball Design	A	1" / Floating Ball Design														
4	4" / Trunnion Ball Design	B	2" / Floating Ball Design														
Type / Configuration																	
D	Double Block & Bleed / 2 Ball Isolates, Needle Vent (Integral Valve alt. Flanged Monoflange)																
E	Double Block & Bleed / 2 Ball Isolates, Ball Vent (Flanged Ball Valve or Double Block & Bleed Valve)																
B	Block & Bleed / Ball, Needle Vent (Integral Valve alt. Flanged Monoflange)																
C	Block & Bleed / Ball, Ball Vent (Flanged Ball Valve or Double Block & Bleed Valve)																
Body Material																	
L	Carbon Steel LF2	D	Super Duplex UNS S32750														
S	1.4404 / 1.4401 / 316 / 316L	V	Alloy 625 UNS N06625														
F	Duplex UNS S31803	1	Alloy 825 UNS N08825														
Dash																	
Inlet Connection																	
Flange Size and Flange Type																	
1F	1" RF	4F	4" RF														
1T	1" RTJ	4T	4" RTJ														
2F	2" RF	6F	6" RF														
2T	2" RTJ	6T	6" RTJ														
3F	3" RF																
3T	3" RTJ																
Flange Class																	
A	150	D	900														
B	300	E	1,500														
C	600	F	2,500														
Outlet Connection																	
Flange Size and Flange Type																	
1F	1" RF	4F	4" RF														
1T	1" RTJ	4T	4" RTJ														
2F	2" RF	6F	6" RF														
2T	2" RTJ	6T	6" RTJ														
3F	3" RF																
3T	3" RTJ																
Flange Class																	
A	150	D	900														
B	300	E	1,500														
C	600	F	2,500														
Dash																	
Vent Connection																	
N	Integral Vent Valve - Needle Type, Screwed Bonnet																
Y	Integral Vent Valve - Needle Type, Flanged Bonnet (OS&Y)																
B	Flanged Vent Valve - Ball Valve																
V	Flanged Double Block & Bleed Valve (VariAS-Block)																
M	Flanged Monoflange																
Followed by a Sequential Number																	
Features and Options to be specified respectively are available																	
Bore	Design	Ball Seat Material	General Options														
Full Bore	2 Piece Design	Carbon Filled PTFE	NACE Specification														
Reduced Bore	3 Piece Design	Devlon	Fire Safe														
		PEEK	Blind Flange on Vent														
		Metal Seated															
Operation	Trim Material	Stem Seal	Weld Inlay														
Actuated	Carbon Steel Trim	FKM O-Ring	316 Weld Inlay														
Gear Operated	Stainless Steel Trim	HNBR O-Ring	625 Weld Inlay														
Lever Operated	Duplex Trim																
Lockable Handle / Lever																	
Anti-Tamper Vent Valve																	



schneider

Tailored to Your Business



Armaturenfabrik Franz Schneider GmbH+Co.KG

Bahnhofplatz 12 | 74226 Nordheim
Deutschland/Germany

Tel: +49 71 33 101-0

Fax: +49 71 33 101-148



www.as-schneider.com



AS-Schneider Asia-Pacific Pte. Ltd.

970 Toa Payoh North, #02-12/14/15
Singapore 318992

Tel: +65 62 51 39 00

Fax: +65 62 51 39 90



www.as-schneider.sg



Armaturenfabrik Franz Schneider SRL

Sales Office:
Str. Basarabilor, Nr. 7 | 100036 Ploiesti
Romania

Tel: +40 244 384 963

Fax: +40 244 384 963

Production Plant:
Str. Mihai Viteazu, Nr. 327i | 507085 Harman
Jud. Braşov | Romania

Tel: +40 368 41 40 25

Fax: +40 368 41 40 26



www.as-schneider.ro



AS-Schneider Middle East FZE

P.O. Box 18749 | Dubai
United Arab Emirates

Tel: +971 4 880 85 75

Fax: +971 4 880 85 76



www.as-schneider.ae



AS-Schneider America, Inc.

17471 Village Green Dr | Houston, TX 77040
United States of America

Tel: +1 281 2 58 42 63

Fax: +1 281 5 06 79 35



www.as-schneider.com