

differential pressure switches ATEX flameproof enclosure

3.49



**Certificate :
CESI 04 ATEX 027**

These flameproof electrical apparatus comply with European Directive ATEX 94/9/EC, for group II and category 2 GD. They are suitable for a variety of uses in hazardous zones 1, 2, 21 and 22 in which the use of flameproof instrument is required. The sensing element is a metallic diaphragm with 2 metallic bellows and acts directly on the microswitch through a self-centering pivot. The simplicity of the design, without levers, cams or similar mechanisms, gives the unit an exceptionally long working life.

3.49 - Standard Model

Type of ignition protection: Ex d IIC T6 as per EN 60079-0, EN 60079-1 and Ex tD A21 IP65 T85°C as per EN 61241-0, EN 61241-1.

Protection: IP 65 as per IEC 529.

Ranges: 0...250 mbar / 0...600 mbar.

Electrical specifications: N. 1...2 SPDT microswitches, or N. 1 with adjustable differential. (see microswitches table)

Differential: fixed.

Repeatability: $\leq 1\%$ of the full setting value.

Set-point adjustment: internal, micrometric adjustable.

Earth contacts: N. 1 internal, N. 1 external.

Process fluid temperature: $-4...+140^{\circ}\text{F}$ ($-20...+60^{\circ}\text{C}$).

Ambient temperature: $-4...+149^{\circ}\text{F}$ ($-20...+65^{\circ}\text{C}$).

Thermal drift: $\leq 0,027\% / ^{\circ}\text{F}$ ($\leq 0,05\% / ^{\circ}\text{C}$).

Process connection: AISI 316 st.st.

Elastic element: AISI 316 st.st. diaphragm with N. 2 AISI 321 st.st. bellows; PTFE gasket.

Case: aluminium, blue polyurethane painted.

Cover: aluminium, beige polyurethane painted.

Tag: AISI 304 st.st., silk-screen painted.

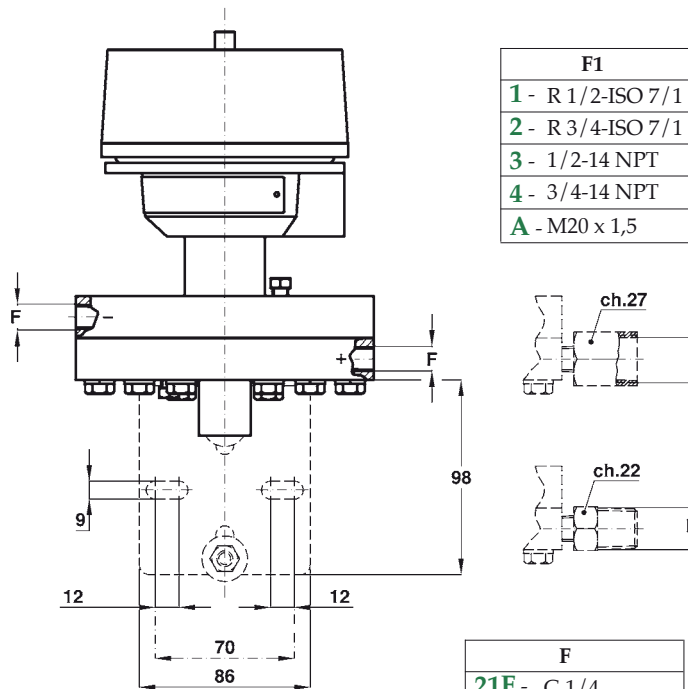
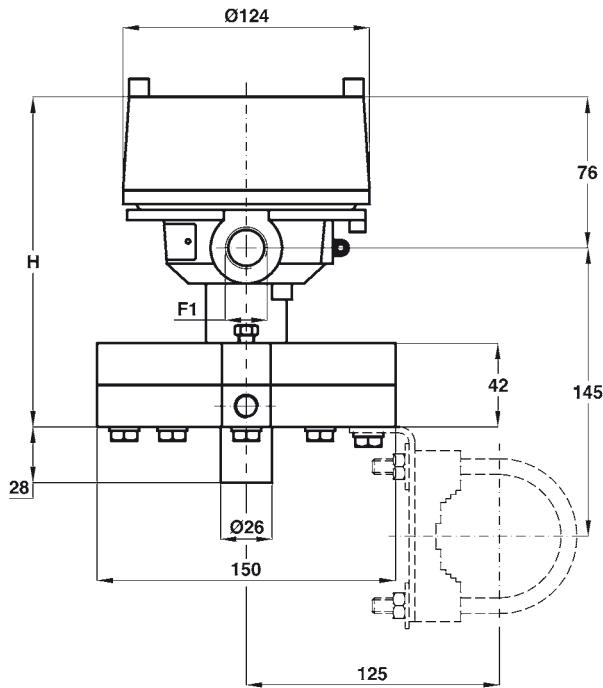
Tell-tale vents: polypropylene.

Flushing plugs: AISI 316 st.st.

Weight: 14.77 lbs (6,7 kg).

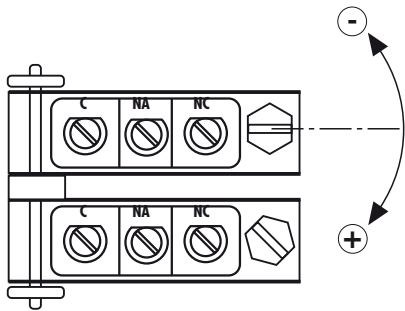
Setting ranges	One side static pressure	Both side static pressure	Differential 1 micro (1)	Differential 2 micro (1)
20...250 mbar	2,5 bar	4 bar	10 mbar	15 mbar
25...400 mbar	4 bar	4 bar	16 mbar	20 mbar
35...600 mbar	4 bar	4 bar	20 mbar	30 mbar

(1) differential and minimum set-point values for microswitches cod. I, L, N, R, S, T, U, V are 300% of those shown in table.



dimensions : inches (mm)

Set- point adjustment



MICROSWITCHES
ohmic load

Single / Double	Type	250	125	24
		Vac	Vac	Vdc
C/D	std.	15A	15A	0,1A
G/H	SPLASH	15A	15A	0,1A
I/L	goldplated		1A	0,1A
M/P	inert gas filled	15A	15A	0,1A
N/R	goldplated and inert gas filled		1A	0,1A
S/T	SPLASH VDC	15A	15A	2A
U/V	inert gas filled VDC	15A	15A	2A

"HOW TO ORDER" SEQUENCE

Section / Model / Set-point Adjustment / Microswitch / Electrical connection / Process connection / ATEX / Options					
3 / 49 / C, D, G, H / 1 / 21F / 2D2					
		I, L, M, P	2	23F	
		N, R	3	43F	
		S, T, U, V	4	43M	
			A		