

# bourdon tube pressure switch

# 3.30



These bourdon tube pressure switches are IP 55, and suitable for a variety of applications such as: chemical, petrochemical, conventional power station where the operating pressure is middle-high. They withstand the most unfavourable working conditions, caused by either the process fluid aggressiveness or high ambient temperature.

## 3.30 - Standard Model

**Ranges:** 0...10/0...600 bar.

**Electrical specifications:** N. 1...2 SPDT microswitches (see microswitches table)

**Differential:** fixed, or adjustable 10%...50% of setting range (see microswitches tables).

**Repeatability:**  $\leq 1\%$  of the full setting value.

**Set-point adjustment:** internal but also external accessible, micrometric adjustable.

**Protection:** IP 55 as per EN 60529/IEC 529.

**Electrical wiring:** terminal strip.

**Earth contacts:** N. 1 internal, N. 1 external.

**Process temperature:** max 302°F (150°C).

**Ambient temperature:** -13...+149°F (-25...+65 °C).

**Thermal drift:**  $\leq 0,027\% / ^\circ\text{F}$  ( $\leq 0,05\% / ^\circ\text{C}$ ).

**Process connection:** AISI 316L st. st.

**Elastic element:** AISI 316L st.st. seamless tube.

**Case:** aluminium, blue polyurethane painted.

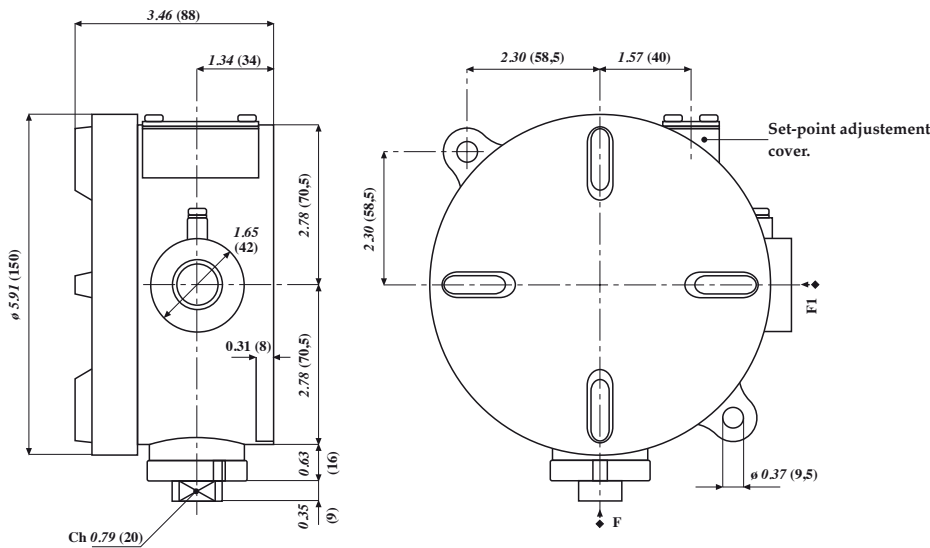
**Cover:** aluminium, beige polyurethane painted.

**Tag:** AISI 304 st.st. silk-screen printed.

**Weight:** 4.62 lbs (2,1 kg).

Setting ranges	Test pressures	Differential 1 micro (1)	Differential 2 micros (1)
0,4...10 bar	15 bar	0,2 bar	0,3 bar
0,7...16 bar	25 bar	0,25 bar	0,5 bar
0,7...25 bar	35 bar	0,3 bar	0,5 bar
1...40 bar	60 bar	0,5 bar	0,7 bar
1,5...60 bar	80 bar	1 bar	1,3 bar
2...100 bar	135 bar	1,4 bar	1,8 bar
4...160 bar	210 bar	2,2 bar	2,9 bar
6...250 bar	350 bar	3,5 bar	4 bar
8...400 bar	500 bar	5 bar	6 bar
10...600 bar	800 bar	7 bar	8 bar

(1) differential and minimum set-point values for microswitches cod. I, L, N, R, S, T, U, V are 300% of those shown in table.

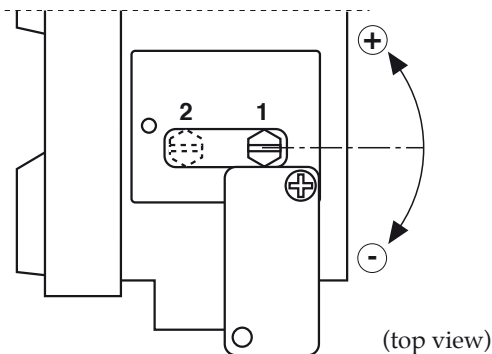


(dimensions : mm)

F1	
1 -	R 1/2-ISO 7/1
2 -	R 3/4-ISO 7/1
3 -	1/2-14 NPT
4 -	3/4-14 NPT
P11 -	cable gland

F	
41M -	G 1/2 B
43M -	1/2-14 NPT
23F -	1/4-18 NPT F
43F -	1/2-14 NPT F

Set-point adjustment



MICROSWITCHES  
ohmic load

Single / Double	Type	250	125	24
		Vac	Vac	Vdc
A/B	std.	15A	15A	0,1A
G/H	SPLASH	15A	15A	0,1A
I/L	goldplated		1A	0,1A
M/P	inert gas filled	15A	15A	0,1A
N/R	goldplated and inert gas filled		1A	0,1A
E	adjustable dead band	20A	20A	0,1A
S/T	SPLASH VDC	15A	15A	6A
U/V	inert gas filled VDC	15A	15A	6A

OPTIONS

P02 -	Degreasing for oxygen
S31 -	2" stake's mounting bracket
V20 -	Epoxy painting
T01 -	Tropicalisation

"HOW TO ORDER" SEQUENCE

Section	Model	Set-point Adjustment	Microswitch	Electrical connection	Process connection	Options
3	30		C, D, G, H I, L, M, P N, R, E S, T, U, V	1 2 3 4 A	41M 43M 23F 43F	P02...T01