



These differential pressure switches are IP 65, and suitable for a variety of applications such as: chemical, petrochemical, conventional power station where it is required to control differential pressure, level, flow. The sensing element is a metallic diaphragm with 2 metallic bellows and acts directly on the microswitch through a self-centering pivot. The simplicity of the design, without levers, cams or similar mechanism, gives the unit an exceptionally long working life.

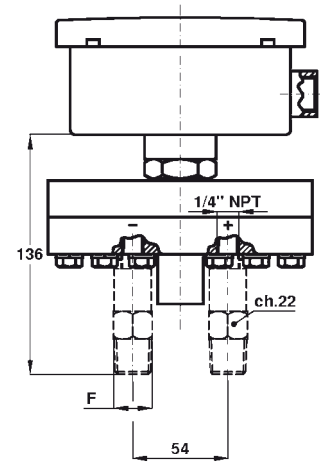
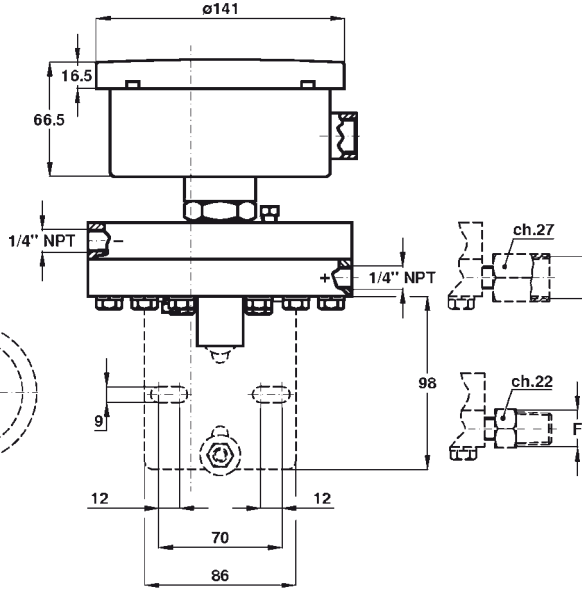
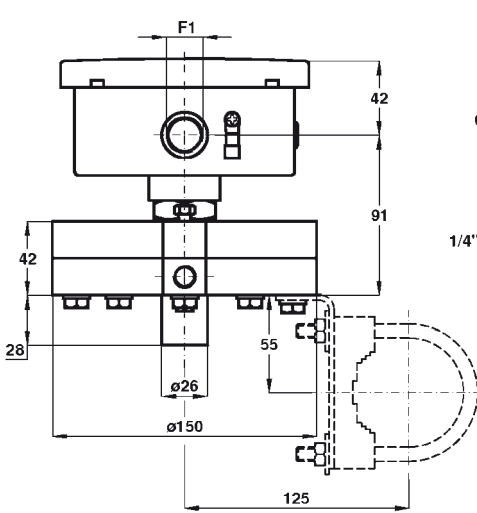
### 3.29 - Standard Model

**Ranges:** 0...250 mbar / 0...600 mbar.  
**Electrical specifications:** N. 1...2 SPDT microswitches (see microswitches table).  
**Differential:** fixed.  
**Repeatability:**  $\leq 1\%$  of the full setting value.  
**Set-point adjustment:** internal, micrometric adjustable.  
**Protection:** IP 65 as per EN 60529/IEC 529.  
**Electrical wiring:** terminal strip.  
**Earth contacts:** N. 1 internal.

**Process temperature:** +212°F max (100°C).  
**Ambient temperature:** -13...+149°F (-25...+65 °C).  
**Thermal drift:**  $\leq 0,027\% / ^\circ\text{F}$  ( $\leq 0,05\% / ^\circ\text{C}$ ).  
**Process connection:** AISI 316 st. st.  
**Elastic element:** AISI 316 st.st. diaphragm with N.2 AISI 321 st.st. bellows; PTFE gasket.  
**Case:** AISI 304 st.st.  
**Cover:** AISI 304 st.st. bayonet lock.  
**Flushing plugs:** AISI 316 st.st.  
**Tag:** AISI 304 st.st., etched.  
**Weight:** 13.66 lbs (6,2 kg).

Setting ranges	One side static pressure	Both side static pressure	Differential 1 micro (1)	Differential 2 micro (1)
20...250 mbar	2,5 bar	4 bar	10 mbar	15 mbar
25...400 mbar	4 bar	4 bar	16 mbar	20 mbar
35...600 mbar	4 bar	4 bar	20 mbar	30 mbar

(1) differential and minimum set-point values for microswitches cod. I, L, N, R, S, T, U, V are 300% of those shown in table.

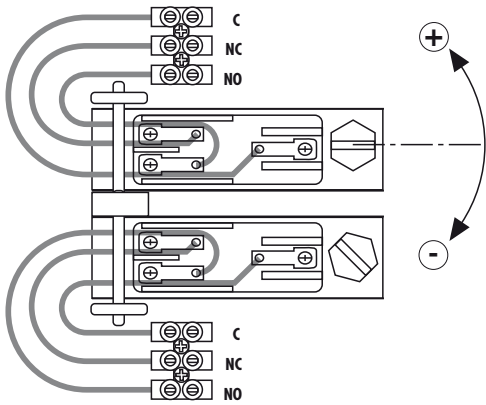


F
23F - 1/4-18 NPT F
43M - 1/2-14 NPT
43F - 1/2-14 NPT F
41M - G 1/2 A

dimensions : mm

F1
1 - R 1/2-ISO 7/1
2 - R 3/4-ISO 7/1
3 - 1/2-14 NPT
4 - 3/4-14 NPT
A - M20 x 1,5
P11 - cable gland

Set-point adjustment



MICROSWITCHES  
ohmic load

Single / Double	Type	250	125	24
		Vac	Vac	Vdc
A/B	std.	15A	15A	0,1A
G/H	SPLASH	15A	15A	0,1A
I/L	goldplated		1A	0,1A
M/P	inert gas filled	15A	15A	0,1A
N/R	goldplated and inert gas filled		1A	0,1A
S/T	SPLASH VDC	15A	15A	6A
U/V	inert gas filled VDC	15A	15A	6A

OPTIONS

APV - Lower connection
P02 - Degreasing for oxygen
S31 - 2" stake's mounting bracket
T01 - Tropicalisation

"HOW TO ORDER" SEQUENCE

Section	Model	Set-point Adjustment	Microswitch	Electrical connection	Process connection	Options
3	29	A, B, G, H I, L, M, P N, R S, T, U, V	1 2 3 4 A P11	APV 23F 43M 43F 41M	P02...T01	