

diaphragm pressure switch

3.20



These diaphragm pressure switches are IP 55, and suitable for a variety of applications such as: chemical, petrochemical and conventional power station. They withstand the most unfavourable working conditions, caused by either the process fluid aggressiveness or high ambient temperature.

3.20 - Standard Model

Ranges: 0...1 bar / 0...25 bar.

Electrical specifications: N. 1 SPDT microswitch (see microswitches table).

Differential: fixed (adjustable 10%...50% of setting range (see microswitches table).

Repeatability: $\leq 1\%$ of the full setting value.

Set point adjustment: internal, micrometric adjustable.

Protection: IP 55 as per EN 60529 / IEC 529.

Electrical wiring: terminal screw, directly on microswitch.

Earth contacts: N. 1 internal, N. 1 external.

Process temperature: +212°F max (100°C).

Ambient temperature: -13...+149°F (-25...+65 °C).

Thermal drift: $\leq 0,027\%$ / °F ($\leq 0,05\%$ / °C).

Process connection: AISI 316L st.st.

Elastic element: AISI 316 Ti st.st. diaphragm, welded.

Case: aluminium, blue polyurethane painted.

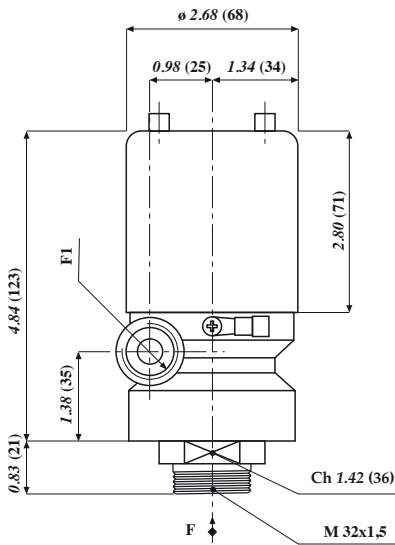
Cover: aluminium beige polyurethane painted.

Tag: AISI 304 st.st., silk-screen painted.

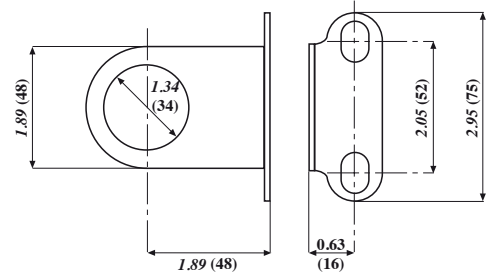
Weight: 4.73 lbs (1,15 kg).

Setting range	Test pressure	Differential 1 micro (1)
0,06...1 bar	1,5 bar	40 mbar
0,1...2,5 bar	3 bar	60 mbar
0,1...4 bar	5 bar	70 mbar
0,15...6 bar	8 bar	100 mbar
0,2...10 bar	13 bar	120 mbar
0,3...16 bar	20 bar	200 mbar
0,4...25 bar	30 bar	350 mbar

(1) differential and minimum set-point values for microswitches cod. I, N, S, U are 300% of those shown in table.

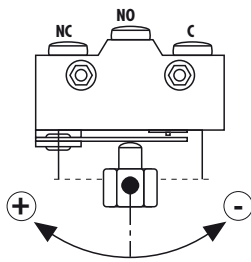


dimensions : inches (mm)



F1		F	
1 -	R 1/2-ISO 7/1	41M -	G 1/2 B
3 -	1/2-14 NPT	43M -	1/2-14 NPT
P11 -	cable gland	23F -	R 1/4-18 NPT F

Set-point adjustment



MICROSWITCHES
ohmic load

Single	Type	250	125	24
		Vac	Vac	Vdc
C	std.	15A	15A	0,1A
G	SPLASH	15A	15A	0,1A
I	goldplated		1A	0,1A
M	inert gas filled	15A	15A	0,1A
N	goldplated and inert gas filled		1A	0,1A
E	adjustable dead band	20A	20A	0,1A
S	SPLASH VDC	15A	15A	6A
U	inert gas filled VDC	15A	15A	6A

OPTIONS

P02 - Degreasing for oxygen
S16 - Mounting bracket
T01 - Tropicalisation
V20 - Epoxy painting

"HOW TO ORDER" SEQUENCE

Section	Model	Set-point Adjustment	Microswitch	Electrical connection	Process connection	Options
3	20		C, G I, M N, E S, U	1 3 P11	41M 43M 23F	P02...V20