



These diaphragm pressure switches are IP 55, and only suitable for applications in the chemical, petrochemical and conventional power plants. The sensing element is a metallic diaphragm and acts directly on the microswitch through a self-centering pivot. The simplicity of the design, without levers, cams or similar mechanism, gives the unit an exceptionally long working life.

### 3.10 - Standard Model

**Ranges:** 0...1 bar / 0...25 bar; -1...0 bar.

**Electrical specifications:** N. 1 SPDT microswitches. (see microswitches table)

**Differential:** fixed.

**Repeatability:**  $\leq 1\%$  of the full setting value.

**Set-point adjustment:** internal, micrometric adjustable.

**Protection:** IP 55 as per EN 60529 / IEC 529.

**Cable exit:** cable gland (cables  $\varnothing 0.24...0.43'' - 6...11$  mm).

**Electrical wiring:** terminal screw, directly on microswitch.

**Earth contacts:** N. 1 internal.

**Process temperature:**  $+212^{\circ}\text{F}$  max ( $100^{\circ}\text{C}$ ).

**Ambient temperature:**  $-13...+149^{\circ}\text{F}$  ( $-25...+65^{\circ}\text{C}$ ).

**Thermal drift:**  $\leq 0,027\%$  /  $^{\circ}\text{F}$  ( $\leq 0,05\%$  /  $^{\circ}\text{C}$ ).

**Process connection:** anticorodal aluminium blue anodized, 1/4" NPT F.

**Elastic element:** AISI 316 st.st. diaphragm for pressure ranges  $\leq 2,5$  bar; carbon steel diaphragm covered with AISI 316 st.st. for pressure ranges 4...25 bar.

**Gasket:** PTFE.

**Case:** anticorodal aluminium blue anodized.

**Cover:** anticorodal aluminium yellow anodized.

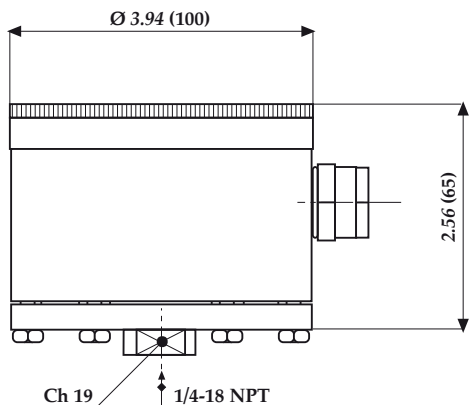
**Tag:** AISI 304 st.st. silk-screen painted.

**Weight:** 1.87 (0,85 kg).

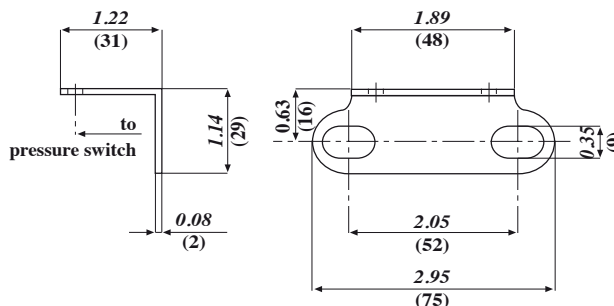
Setting ranges	Test pressure	Differential 1 MICRO (2)
0,05...1 bar (1)	1,3 bar	40 mbar
0,05...1,6 bar (1)	2 bar	40 mbar
0,06...2,5 bar (1)	3 bar	50 mbar
0,08...4 bar	5 bar	60 mbar
0,12...6 bar	8 bar	100 mbar
0,15...10 bar	12 bar	120 mbar
0,25...16 bar	20 bar	200 mbar
0,4...25 bar	30 bar	300 mbar

(1) available also for vacuum & compound.

(2) differential and minimum set-point values for microswitches cod. I, N, S, U are 300% of those shown in table.

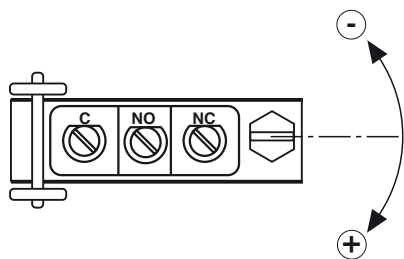


dimensions : inches (mm)



Walls mounting bracket (Cod. **S16**)

Set-point adjustment



MICROSWITCHES  
ohmic load

Single	Type	250	125	24
		Vac	Vac	Vdc
<b>C</b>	std.	15A	15A	0,1A
<b>G</b>	SPLASH	15A	15A	0,1A
<b>I</b>	goldplated		1A	0,1A
<b>M</b>	inert gas filled	15A	15A	0,1A
<b>N</b>	goldplated and inert gas filled		1A	0,1A
<b>S</b>	SPLASH VDC	15A	15A	6A
<b>U</b>	inert gas filled VDC	15A	15A	6A

"HOW TO ORDER" SEQUENCE

Section / Model / Set-point Adjustment / Microswitch / Electrical connection / Process connection / Options  
**3** / **10** / / **C, G, I, M, N, S, U** / --- / **23F - 1/4 NPT F** / **S16**